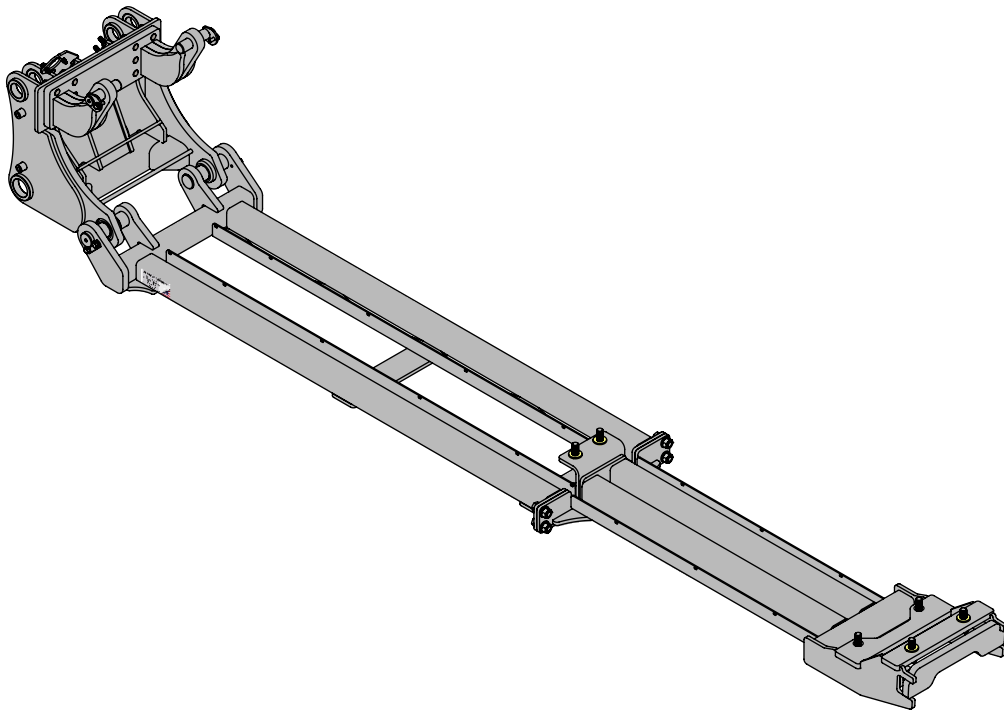




# ***Fendt 900 Gen6***

## ***Undercarriage Installation Instructions***



**For Models Without Factory Three-Point Linkage:**

**Fendt 900 Gen6:**

930, 933, 936, 939, 942

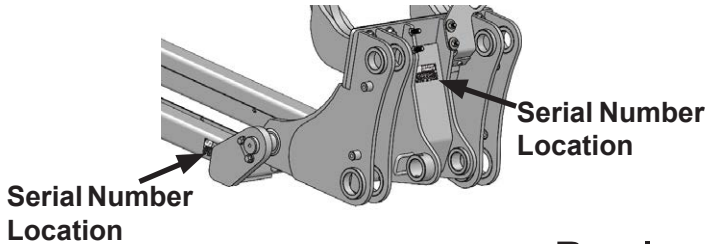
Purchase Date
Serial Number
Model Number
Tractor Model
Dealer

# To The Owner

This manual contains information concerning the installation of the undercarriage. You have purchased dependable, long lasting equipment, but only by proper care and operation can you expect to receive the performance and long service built into our products. Please have all operators read this manual carefully and keep the manual available for ready reference. If you have any questions or concerns, contact Grouser Products.

## Caution:

- Always use caution when working around any equipment.
- Always wear safety glasses.
- Follow tractor manufacturer's safety guidelines when installing this product.
- Use paint where necessary to prevent rust.
- Do not modify or permit anyone else to modify or alter the equipment and its components without first consulting Grouser Products.



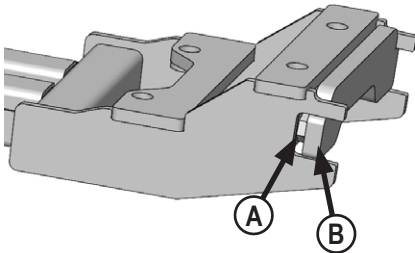
## Note:

- When installing hardware, only finger tighten until all hardware is in place.
- A full diagram of the assembly with the full list of parts is on pages 6-7.
- Unstrap and remove any components that are attached for shipping.
- Read all instructions prior to performing installation.

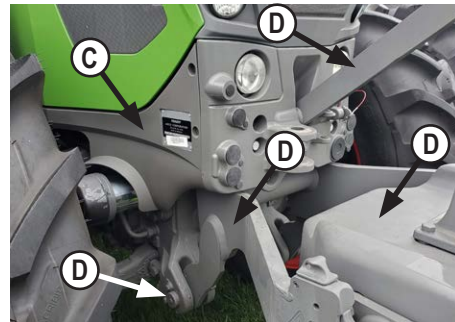


To ensure the safety of those working under and around the machine, apply parking brake, remove key from ignition, and block tires before working on the machine.

## Pre-Installation



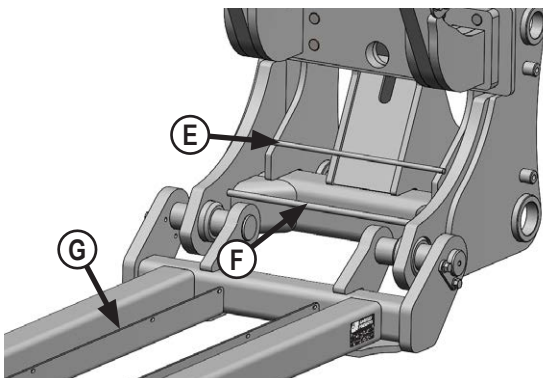
1. Install 1" x 2" bolts in threaded blocks at rear of undercarriage (A). Turn bolts all the way in for installation. The bolts will be adjusted in Step #27.
2. Install push plate as shown (B). If necessary, hold push plate in place with zip tie until rear undercarriage is installed.
3. At rear of tractor, pull drawbar out to allow room to install front support.



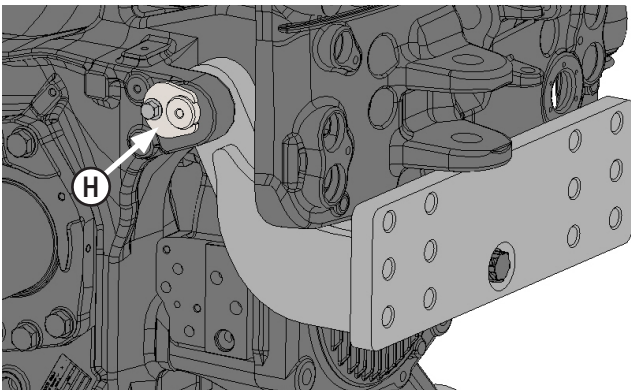
4. Remove the side shields (C).
5. If applicable, unplug and remove the electrical socket from the front of the tractor. It will be reinstalled in Step #32. The bracket can stay on the front plate.
6. Remove the front weights, front rigid arms, bottom and top pins and retaining hardware, and the top link (D).

**NOTE:** The threaded hole on the bottom pin is for installing a 10mm x 1.5mm bolt to aid in pulling out the pin.

## Installation



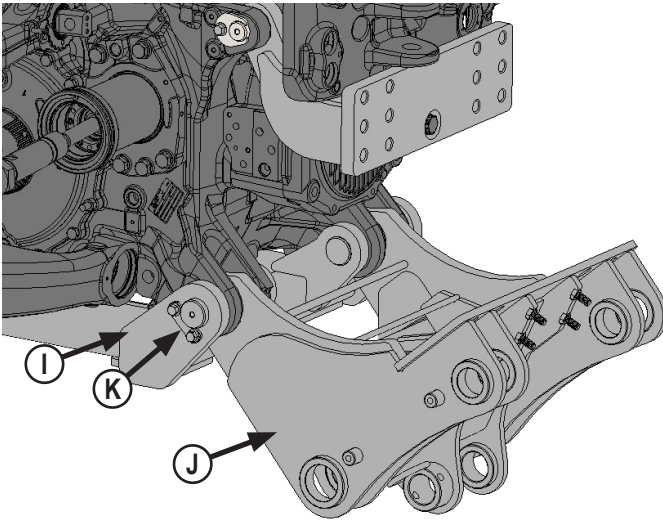
- NOTE:** If hoses were factory installed on undercarriage, proceed to Step #9.
7. Route hoses from the front of undercarriage under the first set of bars (E) and then over the bottom bar (F) on undercarriage.
  8. Continue to route the hoses through the hose loops on front undercarriage (G).



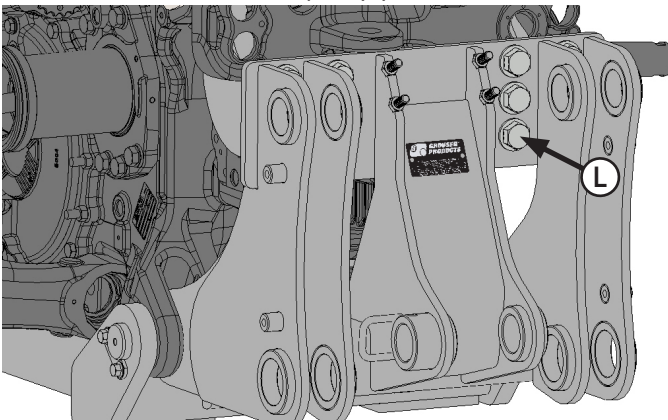
9. Install front master plate weld at front of tractor where original front rigid arms were removed from. Use original pins and hardware removed in Step #6 to attach to tractor frame (H).
10. Center front undercarriage under tractor.



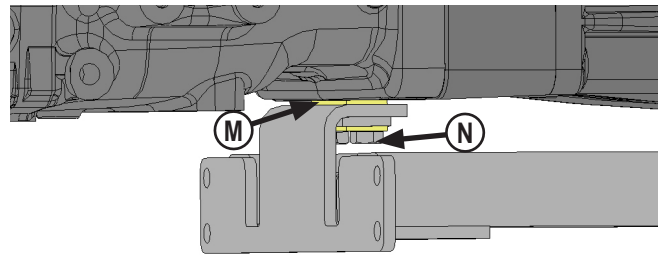
**Caution:** When lifting front and rear undercarriage, watch for potential pinching of hoses or other components to prevent any damage.



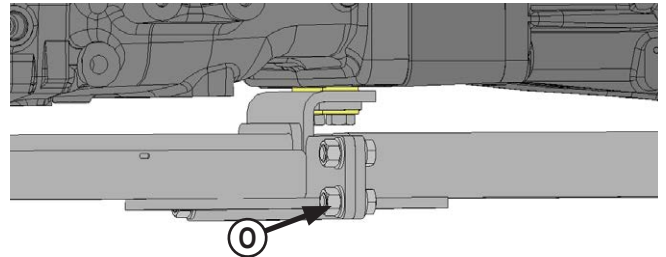
11. Raise front undercarriage (I) until its ears line up with ears on tractor frame.
12. Raise undercarriage mount (J) until its ears line up with ears on tractor frame.
13. Install new pins through outer front ears of front undercarriage, tractor frame and undercarriage mount. Secure with retaining hardware removed in Step #6 (K).



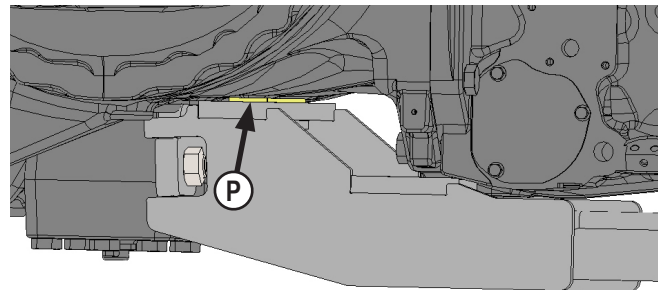
14. Rotate undercarriage mount into position. Use 12 - 7/8" x 1-3/4" bolts and 12 - 7/8" hardened flat washers to attach to front master plate installed in Step #9 (L).



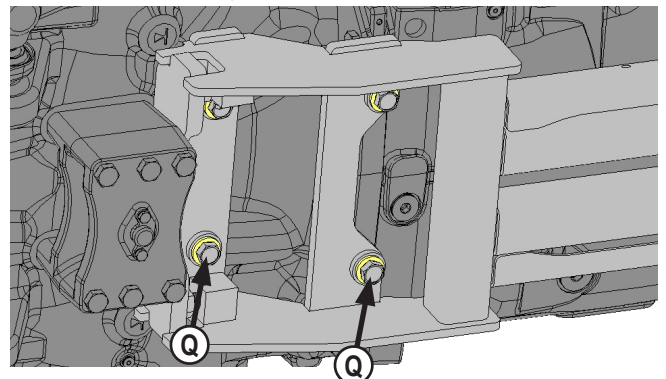
15. Raise rear of front undercarriage and install 2 - 3/4" hardened washers between front undercarriage and tractor frame at vertical bolt locations on front undercarriage (M).
16. Install 2 - 20mm x 80mm bolts, 2 - 3/4" hardened washers and 2 - 3/4" ID heavy washers in vertical bolt locations at rear of front undercarriage (N).
17. Center rear undercarriage under tractor.
18. Raise front of rear undercarriage.



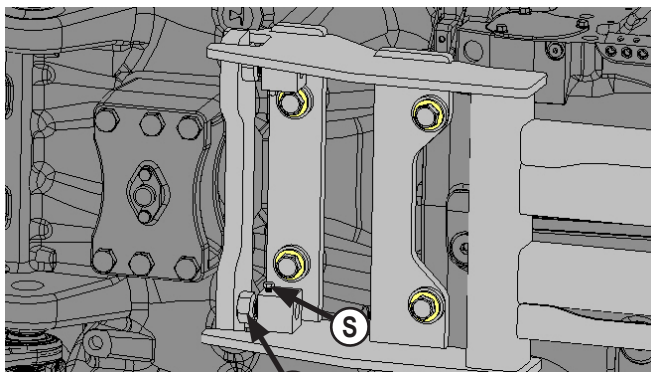
19. Attach rear undercarriage to front undercarriage with 4 - 3/4" x 2" bolts, 8 - 3/4" hardened washers and 4 - 3/4" center lock nuts (O).



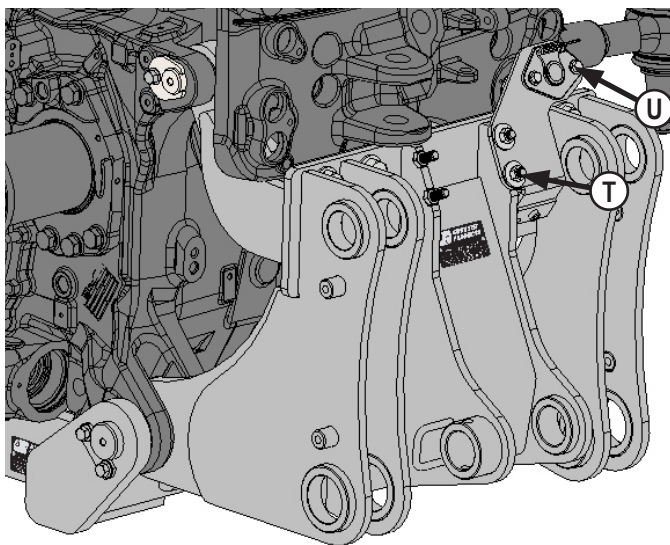
20. Raise rear of rear undercarriage.
21. Install 2 - 3/4" hardened washers between rear undercarriage and tractor frame at vertical bolt locations on front undercarriage (P).



22. Install 4 - 20mm x 70mm bolts, 4 - 3/4" hardened washers and 4 - 3/4" ID heavy washers in vertical bolt locations on rear undercarriage (Q).
23. Torque the 3/4" bolts (O) to 257 ft-lbs.
24. Torque front 10mm bolts (K) to 53 ft-lbs.
25. Torque front 7/8" bolts (L) to 600 ft-lbs.



26. Remove zip tie from rear push plate.
27. Evenly unscrew 1" bolts at rear of rear undercarriage until push plate is tight against drawbar bracket (R). Torque 1" bolts to 90-95 ft-lbs.
28. Install 2 - 5/16" x 3/4" bolts into blocks (S) at rear of rear undercarriage to lock 1" x 2" bolts. Torque the 5/16" bolts to 19 ft-lbs.
29. Torque vertical 20mm bolts (N & Q) to 432 ft-lbs.
30. Reinstall drawbar.



31. Attach the hose clamp bracket (T) to front of undercarriage mount with 2 - 1/2" flat washers and 2 - 1/2" nuts.
32. If applicable, reattach the front electrical socket with 2 - 5/16" x 1-1/4" bolts, 2 - 1/4" washers, and 2 - 5/16" nyloc nuts to hose clamp bracket (U).
33. Reconnect the electrical socket wire connection to the tractor side wire harness.

34. **Check the steering clearance at front undercarriage ears.**  
The minimum clearance between front undercarriage pin and tire should be about 1". If necessary, purchase steering stops from your local dealership.
35. Route hoses down channels on front and rear undercarriage. Secure them by using zip ties in holes along the hose channels.
36. Route the hoses to the back of the tractor. Stay above the drawbar and away from the PTO.
37. Plug the hoses into the open SCV's at the rear of the tractor.

**Note:** The installer is responsible to route hoses in a practical manner, to protect the hoses around sharp corners and moving objects, and secure hoses.

**Warning:** Fully oscillate the blade angle, tilt, steering, suspension and rear 3-point to check for adequate clearance.

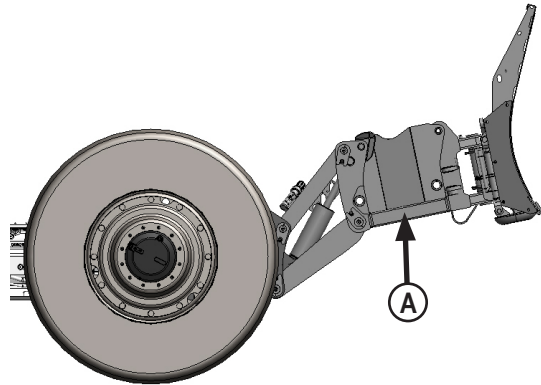
If necessary, purchase and install steering stops from your local dealership to avoid collision and subsequent damage. The minimum clearance between the front support pin and the tire should be 1".

The minimum clearance between any part on the blade and the front tires when the blade is fully angled, should be 3". If more clearance is necessary between the blade and front tires, call Grouser Products to purchase the extension on page #5.

## Maintenance

1. After first 8 hours of use, re-torque all bolts.
2. Check all fasteners regularly to ensure proper operation of equipment.
3. Inspect all equipment for existing or potential damages every 10 hours or less.

# Additional Extension



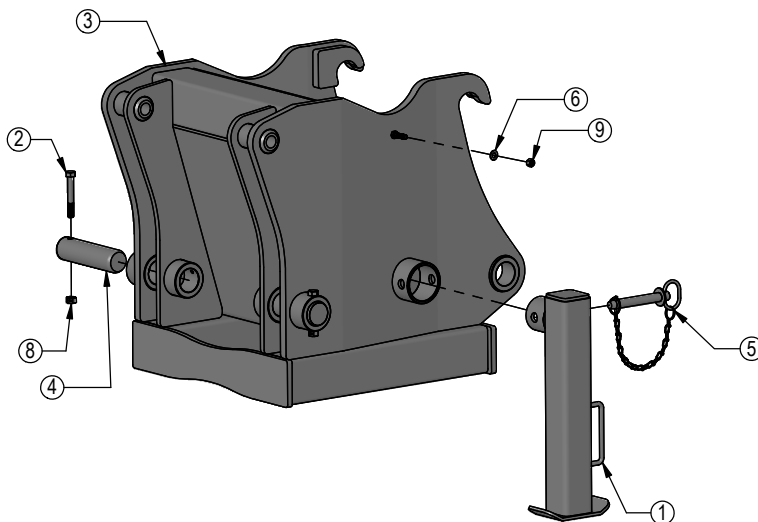
1. An additional extension (A) may be necessary if your tractor is equipped with front duals. Tire size and row spacing will determine if your system will require the extension.
2. All 650 and 710 dual front tire configurations require the extension.
3. Call Grouser with tire information to discuss if the extension is necessary for your system.

**NOTE: Grouser Products is not responsible for damage to tires or blade if the extension is not installed.**

**NOTE: Front Dual Extension required if tractor is set up with the tire width of 150" or more on the 2-way, 4-way or 6-way blade.**

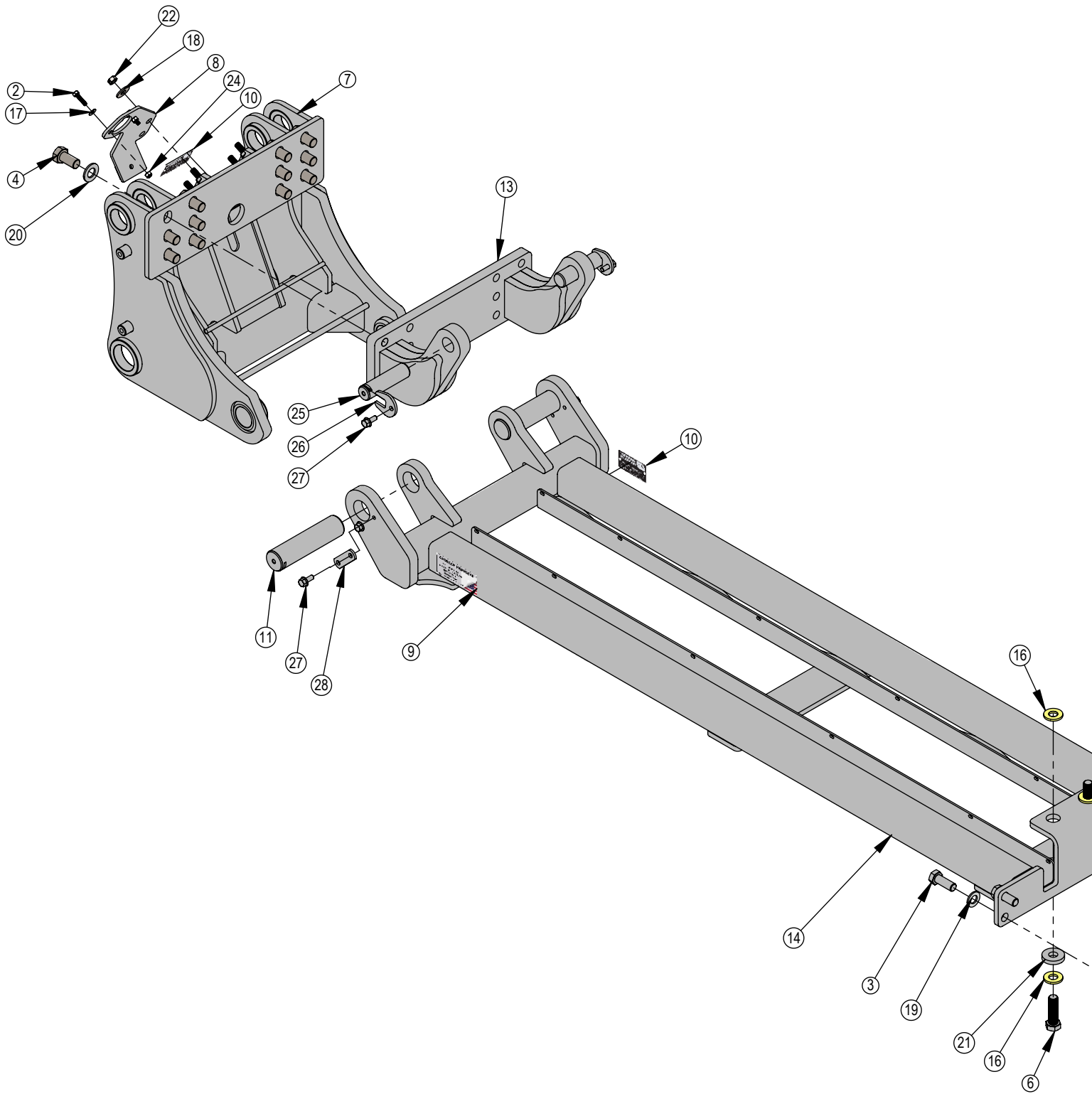
## Extension Installation

1. If blade system is on the FH-440 lift system, disconnect the blade system from the FH-440 lift system.
2. Center and raise the extension until the top pins are fully engaged in the top hooks of the blade system.
3. Insert the lock out pins to attach the extension to the blade system.
4. Secure both lock out pins with 1/2" x 3-1/2" bolts and 1/2" lock nuts.
5. Position and attach the adapter stand in the down position as shown below.
6. Secure the hoses from the blade system to the left side of the extension with a cordura strap, 3/8" flat washer and 3/8" nyloc nut. Verify that all hoses have some slack to move when operating all of the blade functions.
7. Connect the extension with blade system to the FH-440 lift system.
8. Shut off the tractor engine and set the parking brake.
9. Pull the quick attach lock handle and lift the locking latch to lock the handle in place.
10. Clean hydraulic couplers and connect hydraulic couplers on the top arm. Refer to AG240 Dozer Owner's Manual and Parts Book for proper location of all functions.
11. Start tractor engine and raise lift system until the adapter stand is off the ground.
12. Shut off tractor engine and set parking brake.
13. Remove hitch pin with chain, rotate stand up and reattach with the pin.

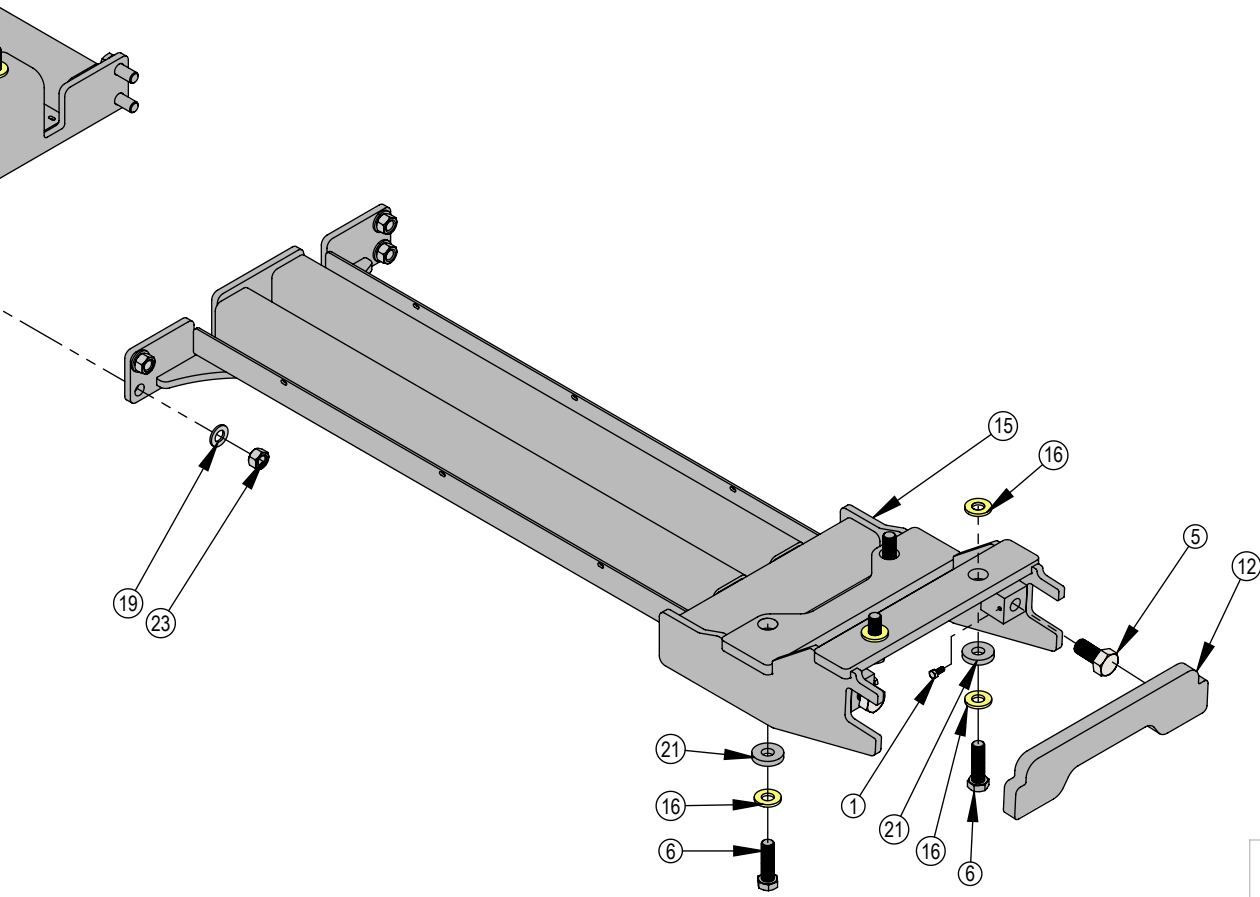


ITEM NO.	QTY.	PART NO.	DESCRIPTION
1	1	11-40610R1	440 To 240 Adapter Stand
2	2	16-20134	1/2" x 3-1/2" Hex Bolt Gr. 5 NC
3	1	32-40285R2	FH440 To 240 Extension
4	2	43-16923R2	Lock Out Pin
5	1	43-40453	Hitch Pin with Chain
6	1	57-20742	3/8" Flat Washer
7*	1	59-16899-6	Heavy Duty Velcro Strap
8	2	70-20604	1/2" Center Lock Hex Nut
9	1	70-20612	3/8" Nyloc Nut

\* Part Not Shown



ITEM NO.	QTY.	PART NO.	DESCRIPTION
1	2	16-20032	5/16" x 3/4" Hex Bolt Gr 5 NC
2	2	16-20035	5/16" x 1-1/4" Hex Bolt Gr. 5
3	4	16-20218	3/4" x 2" Hex Bolt Gr.5 NC
4	12	16-20537	7/8" x 1-3/4" Hex Bolt Gr 8 NC
5	2	16-20558	1" x 2" Hex Bolt Gr 8 NC
6	6	16-1876	20mm x 2.5mm x 70mm Hex Bolt Gr 10.9
7	1	17-42600	Mount Weld
8	1	18-42615	Hose Bracket Weld
9	1	27-18887	Grouser Name Plate Decal
10	2	NA	Grouser Dozer Metal Serial Tag
11	2	43-42265	Pin
12	1	44-42585	Plate, Push
13	1	44-42610	Master Plate Weld
14	1	54-42575	Undercarriage Weld, Front
15	1	54-42580	Undercarriage Weld, Rear
16	10	57-19088	3/4" Hardened HD Flat Washer
17	2	57-20740	1/4" Flat Washer
18	2	57-20744	1/2" Flat Washer
19	8	57-20757	3/4" Flat Washer - 1-1/2" OD
20	12	57-20758	7/8" SAE Hardened Flat Washer - 1-3/4" OD
21	6	57-3680	0.75" ID x 2.00" OD x .375" Heavy Washer
22	2	70-20604	1/2" Center Lock Hex Nut
23	4	70-20607	3/4" Center Lock Hex Nut
24	2	70-20611	5/16" Nyloc Hex Nut Gr. 5
25	2	NA	Original Tractor Pin
26	2	NA	Original Tractor Lock Plate
27	6	NA	Original Tractor Bolt
28	2	NA	Original Tractor Plate



DWG. NO.: 42600-A

# Improvements

---

---

Grouser Products Inc. is continually striving to improve its products. We reserve the right to change prices, specification, or equipment at any time without notice. We also reserve the right to make improvements or changes when it becomes practical and possible to do so without incurring any obligation to make changes or additions to the equipment sold previously.

## Warranty

---

---

Grouser Products warrants to the original purchaser of each item that the product be free from defects in material and workmanship under normal use and service for a period of **two (2) years for Agriculture Series Blades and one (1) year for Heavy Duty Series from date of original retail delivery.**

### **The obligation of the consumer under this warranty:**

1. To read the operators manual and to operate, lubricate, maintain and store equipment in accordance with the instructions listed in the operators manual.
2. To inspect equipment and if any part needs repair or replacement when continued use would cause damage or wear to other parts or safety.
3. All equipment or parts claimed to be defective in material or workmanship must be made available for inspection at the place of business of a dealer authorized to handle the equipment covered by this warranty, or, upon request by Grouser Products, shipped to the Grouser Products factory in West Fargo, North Dakota.

### **The obligation of the dealer under this warranty:**

1. Complete warranty registration form and submit within 30 days of sale.
2. Contact Grouser Products for authorization prior to performing any warranty repairs or part replacement.
3. Complete warranty request form and submit with photos and supporting documentation.

### **The obligation of Grouser Products under this warranty:**

1. Repair or replace, any equipment or parts, in the judgment of Grouser Products to be defective in material or workmanship.
2. Grouser Products will cover the cost of parts and ground shipping at dealer invoice only.
3. Grouser Products shall have no obligation to bear the cost of labor or transportation in connection with replacement or repair of any such defective parts.

### **This warranty does not cover:**

1. Depreciation or damage caused by normal wear, accident, improper assembly, improper adjustments.
2. Improper maintenance including lack of proper lubrication, or improper use. Including loose bolts, nuts, or fitting due to over tightening or vibration after 20 hours of operation.
3. Repairs or alterations without authorization from a Grouser Products representative.
4. Grouser Products shall have no liability if the equipment has been altered or reworked without the written authorization of Grouser Products.

Grouser Products' parts, which are furnished under this warranty and properly installed, shall be warranted to the same extent as the original parts under this warranty if, and only if, such parts are found to be defective within the original warranty period covering the original equipment.

**NO EMPLOYEE OR REPRESENTATIVE OF GROUSER PRODUCTS IS AUTHORIZED TO CHANGE THE WARRANTY IN ANY WAY OR GRANT ANY OTHER WARRANTY.**

## Contact Us

---

---

As always, if you have any questions about your system or other products made by Grouser, feel free to contact us.



755 2nd Ave NW - West Fargo, ND 58078  
+1 701-282-7710 | info@grouser.com  
www.grouser.com