



# FH-400 Versatile 260, 290, 310 Series

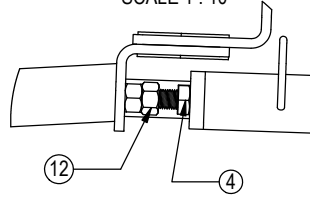
## Undercarriage Installation Instructions

### Caution:

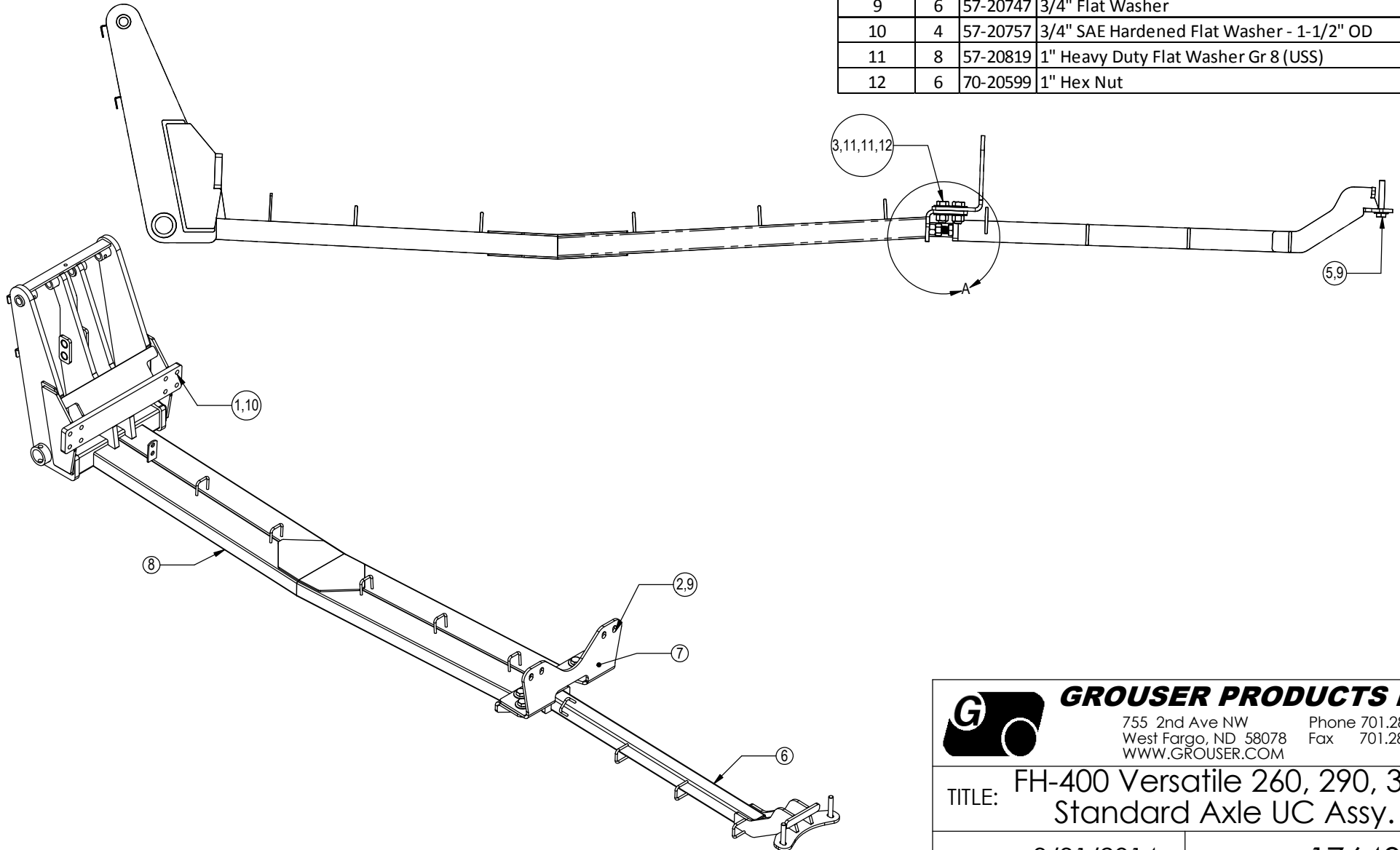
- Always use precaution when working around any equipment.
- Always wear safety glasses.
- Follow tractor manufacturer's safety guidelines when installing this product.
  1. Read all instructions prior to installation.
  2. Remove weights and weight bracket from front of tractor if necessary.
  3. Install 2 - 1" x 3" bolts (PN: 16-20562) and 2 - 1" nuts (PN: 70-20599) on the end of the undercarriage. Turn the 1" bolts in for installation. The bolts will be adjusted after the push pole is installed. See the attached diagram for proper installation of the bolts and nuts.
  4. Position the undercarriage (U/C) in front of axle and center with the frame of the tractor.
  5. Remove the bottom 4 bolts from in front of the transmission where the rear plate will be attached.
  6. Attach the rear plate (PN: 44-17660) in front of the transmission with 4 - 20mm x 90mm bolts (PN: 16-1510) with a 3/4" flat washer (PN: 57-20747) on each bolt. See attached diagram for proper orientation of the rear plate.
  7. Lift the U/C until the front holes on the tractor line up with the front holes on the U/C.
  8. Start 2 - 20mm x 70mm bolts (PN: 16-1876) with a 3/4" hardened flat washer (PN: 57-20757) on each bolt through the holes of the U/C into the front holes of the tractor. See attached diagram for any clarification.
  9. Attach the rear plate (PN: 44-17660) from step #6 to the U/C with 4 - 1" x 2-1/2" bolts (PN: 16-20560), 6 - 1" heavy flat washers (PN: 57-20819), and 3 - 1" nuts (PN: 70-20599).
  10. Once all bolts are installed, torque the front 20mm bolts to 432 ft-lbs., the 20mm bolts in front of the transmission to 432 ft-lbs., and all 1" bolts to 903 ft-lbs.
  11. Remove the 2 drawbar mount bolts that are located towards the front of the tractor
  12. Position the push pole under the tractor. Slide the push pole onto the rod at the rear of the undercarriage. See the attached diagram for the correct orientation of the push pole.
  13. Lift the rear of the push pole up and attach to the drawbar mount with a 20mm x 120mm bolt (PN: 16-2489) and a 3/4" washer (PN: 57-20747) in both holes. Finger tighten only.
  14. Push the push pole back tight against the drawbar bracket.
  15. Torque the 20mm bolts at the rear of the push pole to 432 ft-lbs.
  16. Unscrew the 2 - 1" x 3" bolts at the front of the push pole until they are tight against the push pole. Torque the 1" bolts to 90-95 ft-lbs.
  17. Tighten the nuts up tight against the undercarriage. Use the nuts to lock the bolts in place.
  18. After first 8 hours of use, re-torque all bolts.
  19. Check all fasteners regularly to ensure proper operation of equipment.

THE INFORMATION CONTAINED IN THIS DRAWING IS THE SOLE PROPERTY OF GROUSER PRODUCTS INC ANY REPRODUCTION IN PART OR WHOLE WITHOUT THE WRITTEN PERMISSION OF GROUSER PRODUCTS INC IS PROHIBITED.

DETAIL A  
SCALE 1:10



Item No.	Qty.	Part No.	Description
1	4	16-1876	20mm x 2.5mm x 70mm Metric Hex Bolt Gr 10.9
2	4	16-1510	20mm x 2.5mm x 90mm Metric Hex Bolt Gr 10.9 ZC
3	4	16-20560	1" x 2-1/2" Hex Bolt Gr 8 NC
4	2	16-20562	1" x 3" Hex Bolt Gr 8 NC
5	2	16-2489	20mm x 2.5mm x 120mm Metric Hex Bolt Gr 10.9
6	1	17-17655	Versatile 260-310 Push Pole
7	1	44-17660	Versatile 260-310 Rear Plate
8	1	54-17640	Versatile 260, 290, 310 Undercarriage
9	6	57-20747	3/4" Flat Washer
10	4	57-20757	3/4" SAE Hardened Flat Washer - 1-1/2" OD
11	8	57-20819	1" Heavy Duty Flat Washer Gr 8 (USS)
12	6	70-20599	1" Hex Nut



**GROUSER PRODUCTS INC.**

755 2nd Ave NW Phone 701.282.7710  
West Fargo, ND 58078 Fax 701.282.8131  
WWW.GROUSER.COM

TITLE: FH-400 Versatile 260, 290, 310  
Standard Axle UC Assy.

Date: 3/31/2014

DWG. NO.: 17640-A