



John Deere 8R & 8RX

Undercarriage Installation Instructions

For Models:

8R: 8R 230, 8R 250, 8R 280, 8R 310, 8R 340, 8R 370, 8R 410

8RX: 8RX 310, 8RX 340, 8RX 370, 8RX 410

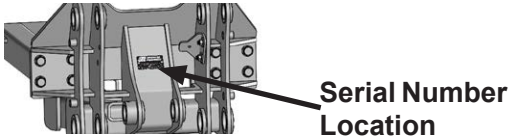
Purchase Date
Serial Number
Model Number
Tractor Model
Dealer

To The Owner

This manual contains information concerning the installation of the undercarriage. You have purchased dependable, long lasting equipment, but only by proper care and operation can you expect to receive the performance and long service built into our products. Please have all operators read this manual carefully and keep the manual available for ready reference. If you have any questions or concerns, contact Grouser Products.

Caution:

- Always use caution when working around any equipment.
- Always wear safety glasses.
- Follow tractor manufacturer's safety guidelines when installing this product.
- Use paint where necessary to prevent rust.
- Do not modify or permit anyone else to modify or alter the equipment and its components without first consulting Grouser Products.



Note:

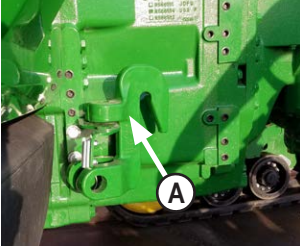
- When installing hardware, only finger tighten until all hardware is in place.
- A full diagram of the assembly with the full list of parts is on pages 4-5.
- Unstrap and remove any components that are attached for shipping.
- Read all instructions prior to performing installation.



To ensure the safety of those working under and around the machine, apply parking brake, remove key from ignition, and block tires before working on the machine.

Pre-Installation

1. If applicable, remove front weights and front weight carrier.

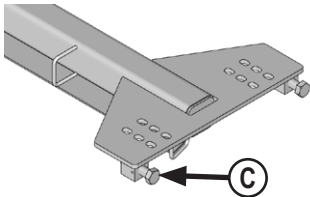


2. If applicable, remove implement quick coupler and bracket from right side of tractor (A).

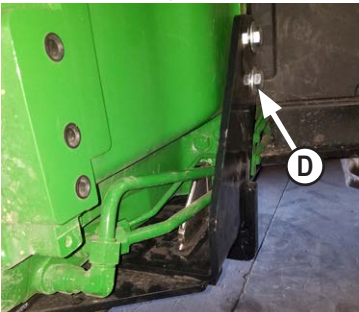


3. Remove cover on left side of tractor in front of fuel tank (B).

Installation



4. Install 2 - 1" x 3-1/4" bolts in threaded blocks at rear of undercarriage (C). Bolts will be adjusted in a later step.

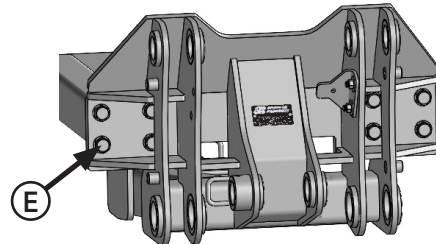


5. Attach rear tail brackets to transmission housing with 4 - 20mm x 50mm bolts and 4 - 3/4" flat washers (D).
6. If applicable, reattach implement quick coupler with right tail bracket and hardware from step #5.

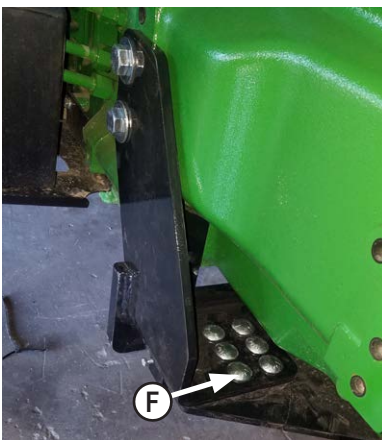
7. Center undercarriage under tractor.

NOTE: When lifting undercarriage, watch for potential pinching of hoses or any other components to prevent damage.

8. Raise undercarriage until holes on undercarriage line up with front holes on tractor.

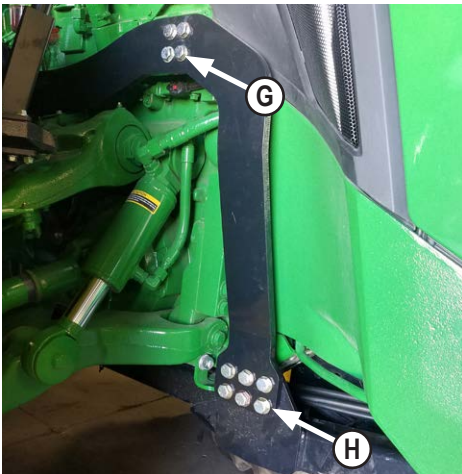


9. Attach front of undercarriage to tractor with 8 - 20mm x 70mm bolts and 8 - 3/4" flat washers (E).



10. Attach rear brackets to rear of undercarriage with 12 - 3/4" x 2" carriage bolts, 12 - 3/4" flat washers and 12 - 3/4" center lock nuts (F).

NOTE: Hand tighten the tail bracket bolts. The brackets need to slide on undercarriage until bolts are tightened in later steps.

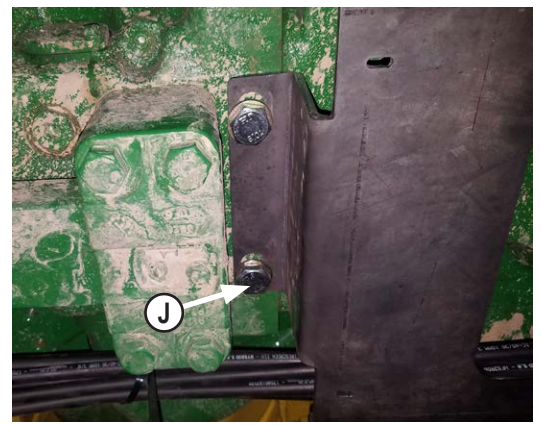


11. Attach side rails to side of tractor with 12 - 16mm x 90mm bolts and 12 - 5/8" flat washers (G).
12. Attach side rails to undercarriage with 12 - 3/4" x 2-1/2" bolts, 24 - 3/4" flat washers and 12 - 3/4" center lock nuts (H).
13. Route hoses down undercarriage and through hose loops on undercarriage to back of tractor.

Note: The installer is responsible to route hoses in a practical manner, to protect the hoses around sharp corners and moving objects, and secure hoses.



14. Raise hose channel in place with hoses inside channel and attach to tractor frame with 2 - 20mm x 70mm bolts and 4 - 3/4" flat washers in front holes (I).



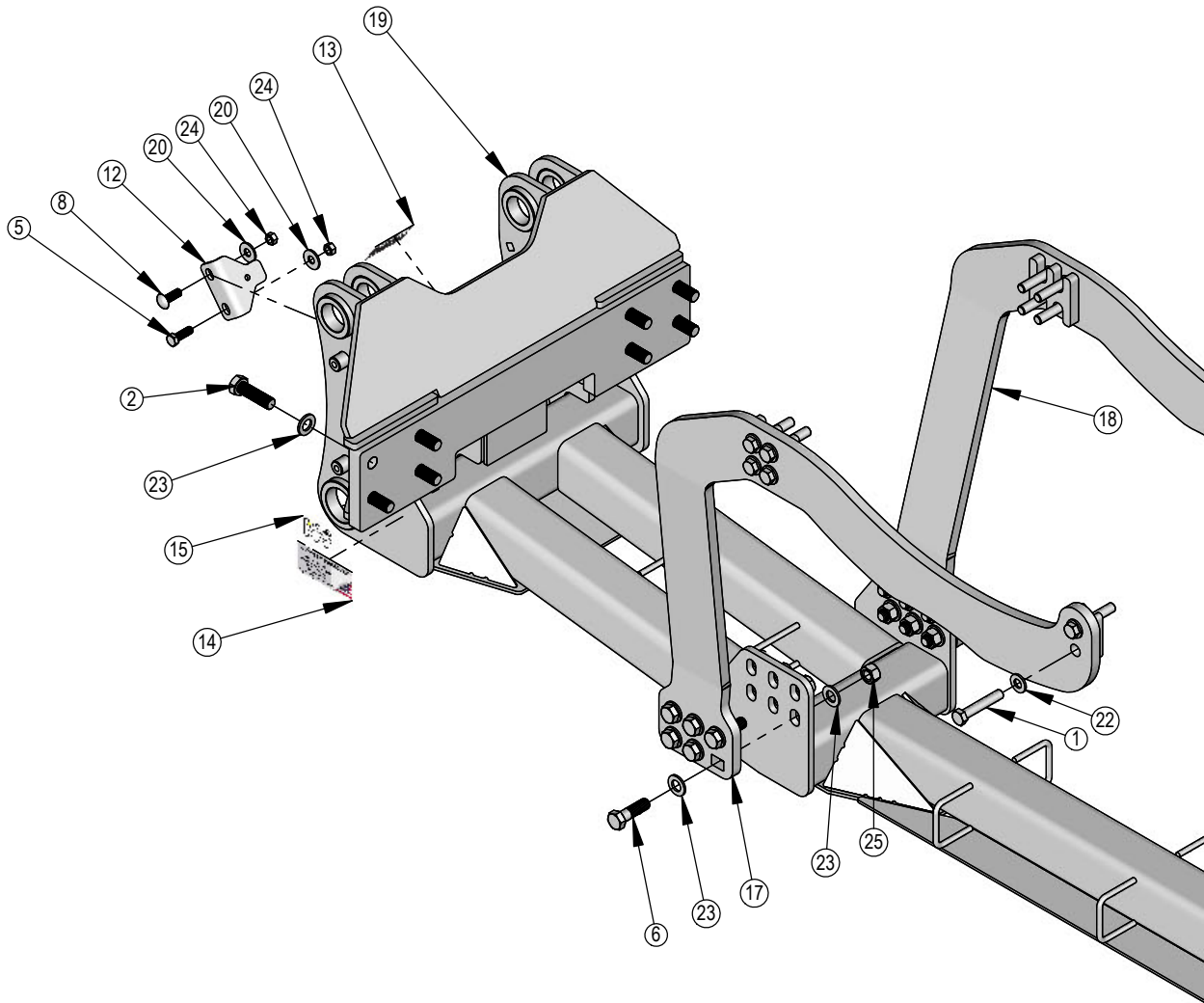
15. Attach rear of hose channel to bottom of tractor frame with 2 - 20mm x 50mm bolts and 4 - 3/4" flat washers in front holes (J). Torque the hose channel 20mm bolt to 432 ft-lbs (I & J).
16. Torque front 20mm bolts to 432 ft-lbs (E).
17. Torque side rail 16mm bolts to 269 ft-lbs (G).
18. Torque side rail 3/4" carriage bolts to 257 ft-lbs (H).
19. Evenly push tail brackets back until tight against bolt heads on transmission housing. Torque tail bracket 20mm bolts to 432 ft-lbs. (D).
20. Evenly unscrew 1" bolts at rear of undercarriage to push tail brackets against bolt heads on transmission housing. Torque 1" bolts to 90-95 ft-lbs (C).
21. Install 2 - 5/16" x 3/4" bolts into blocks at rear of undercarriage to lock 1" x 4" bolts. Torque 5/16" bolts to 19 ft-lbs.
22. Torque tail bracket 3/4" carriage bolts to 257 ft-lbs (F).
23. Use zip ties in holes in hose channel to secure hoses to hose channel.
24. Protect hoses around sharp corners and moving objects. Use zip ties to secure hoses in place.
25. Plug hoses into open SCV's at rear of tractor.

Warning: Fully oscillate the blade angle, tilt, steering, suspension and rear 3-point to check for adequate clearance.

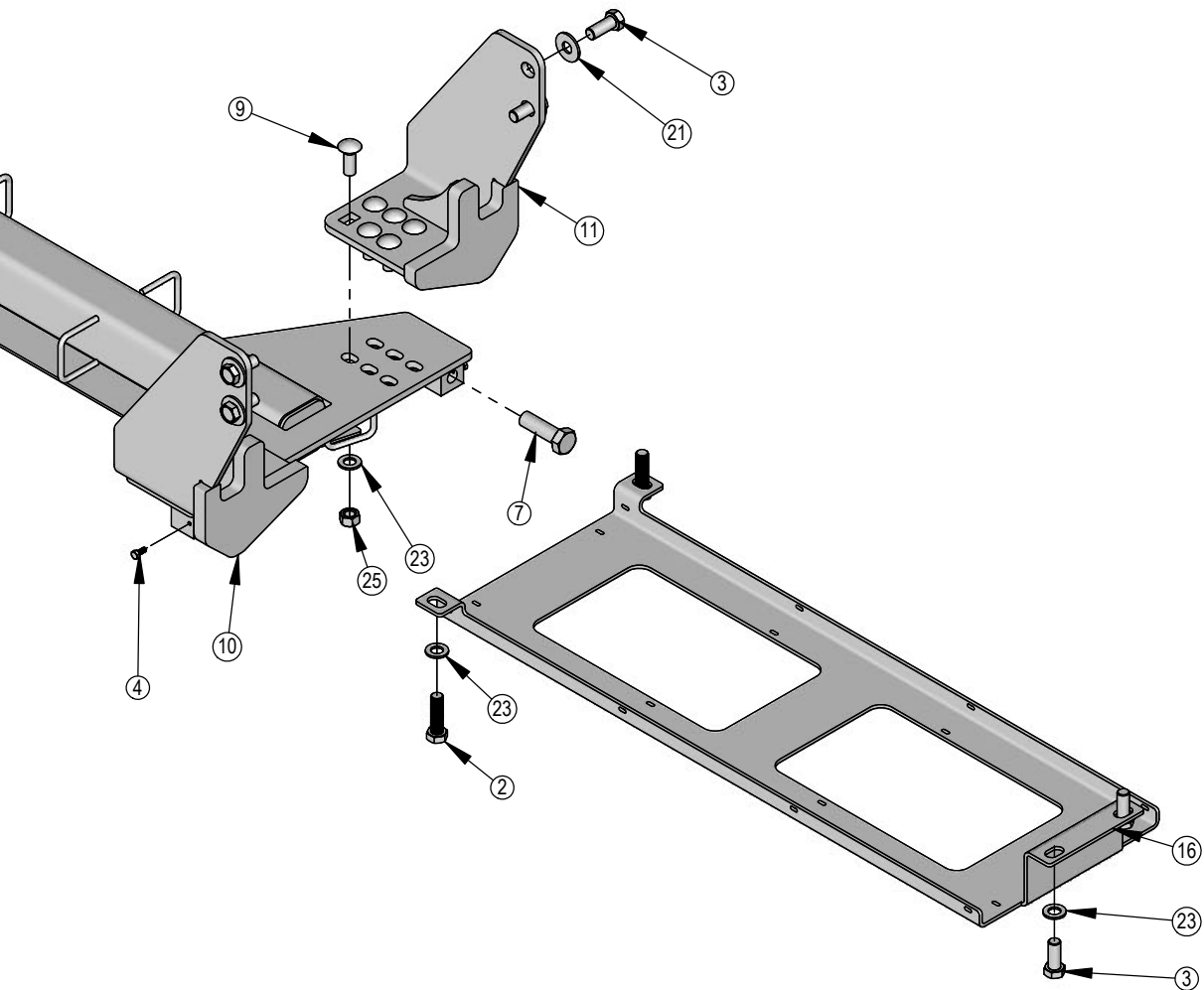
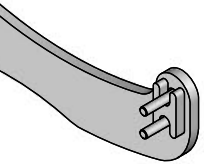
The minimum clearance between any part on the blade and the front tires when the blade is fully angled, should be 3". If more clearance is necessary between the blade and front tires, call Grouser Products.

Maintenance

1. After first 8 hours of use, re-torque all bolts. Check to make sure 1" bolts at back of undercarriage are tight against tail brackets.
2. Check all fasteners regularly to ensure proper operation of equipment.
3. Inspect all equipment for existing or potential damages every 10 hours or less.



ITEM NO.	Qty.	PART NO.	DESCRIPTION
1	12	16-1620090	16mm x 2.00mm x 90mm Metric Hex Bolt Gr 10.9 Coarse
2	10	16-1876	20mm x 2.5mm x 70mm Hex Bolt Gr 10.9
3	6	16-1878	20mm x 2.5mm x 50mm Hex Bolt Gr 10.9
4	2	16-20032	5/16" x 3/4" Hex Bolt Gr 5 NC
5	1	16-20126	1/2" x 1-1/2" Hex Bolt Gr 5 NC
6	12	16-20220	3/4" x 2-1/2" Hex Bolt Gr 5 NC
7	2	16-20563	1" x 3-1/4" Hex Bolt Gr 8 NC
8	1	16-21126	1/2" x 1-1/2" Carriage Bolt Gr 5 NC
9	12	16-21218	3/4" x 2" Carriage Bolt Gr 5 NC
10	1	18-42680-L	Bracket, Tail
11	1	18-42680-R	Bracket, Tail
12	1	18-42691	Hose Bracket
13	1	NA	Grouser Dozer Metal Serial Tag
14	1	27-18887	Grouser Name Plate Decal
15	1	27-40962	Warning Prop 65 Decal
16	1	44-42657	Hose Channel
17	1	46-42690-L	Side Rail
18	1	46-42690-R	Side Rail
19	1	54-42660	JD 8R 2020 Undercarriage
20	2	57-20744	1/2" Washer
21	4	57-20747	3/4" Flat Washer
22	12	57-20756	5/8" Flat Washer - 1-5/16" OD
23	48	57-20757	3/4" Flat Washer - 1-1/2" OD
24	2	70-20604	1/2" Center Lock Hex Nut
25	24	70-20607	3/4" Center Lock Hex Nut Gr 2 NC



DWG. NO.: 42660-A

Improvements

Grouser Products Inc. is continually striving to improve its products. We reserve the right to change prices, specification, or equipment at any time without notice. We also reserve the right to make improvements or changes when it becomes practical and possible to do so without incurring any obligation to make changes or additions to the equipment sold previously.

Warranty

Grouser Products warrants to the original purchaser of each item that the product be free from defects in material and workmanship under normal use and service for a period of **two (2) years for Agriculture Series Blades and one (1) year for Heavy Duty Series from date of original retail delivery.**

The obligation of the consumer under this warranty:

1. To read the operators manual and to operate, lubricate, maintain and store equipment in accordance with the instructions listed in the operators manual.
2. To inspect equipment and if any part needs repair or replacement when continued use would cause damage or wear to other parts or safety.
3. All equipment or parts claimed to be defective in material or workmanship must be made available for inspection at the place of business of a dealer authorized to handle the equipment covered by this warranty, or, upon request by Grouser Products, shipped to the Grouser Products factory in West Fargo, North Dakota.

The obligation of the dealer under this warranty:

1. Complete warranty registration form and submit within 30 days of sale.
2. Contact Grouser Products for authorization prior to performing any warranty repairs or part replacement.
3. Complete warranty request form and submit with photos and supporting documentation.

The obligation of Grouser Products under this warranty:

1. Repair or replace, any equipment or parts, in the judgment of Grouser Products to be defective in material or workmanship.
2. Grouser Products will cover the cost of parts and ground shipping at dealer invoice only.
3. Grouser Products shall have no obligation to bear the cost of labor or transportation in connection with replacement or repair of any such defective parts.

This warranty does not cover:

1. Depreciation or damage caused by normal wear, accident, improper assembly, improper adjustments.
2. Improper maintenance including lack of proper lubrication, or improper use. Including loose bolts, nuts, or fitting due to over tightening or vibration after 20 hours of operation.
3. Repairs or alterations without authorization from a Grouser Products representative.
4. Grouser Products shall have no liability if the equipment has been altered or reworked without the written authorization of Grouser Products.

Grouser Products' parts, which are furnished under this warranty and properly installed, shall be warranted to the same extent as the original parts under this warranty if, and only if, such parts are found to be defective within the original warranty period covering the original equipment.

NO EMPLOYEE OR REPRESENTATIVE OF GROUSER PRODUCTS IS AUTHORIZED TO CHANGE THE WARRANTY IN ANY WAY OR GRANT ANY OTHER WARRANTY.

Contact Us

As always, if you have any questions about your system or other products made by Grouser, feel free to contact us.



755 2nd Ave NW - West Fargo, ND 58078
+1 701-282-7710 | info@grouser.com
www.grouser.com