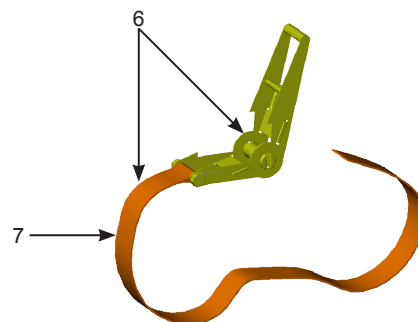
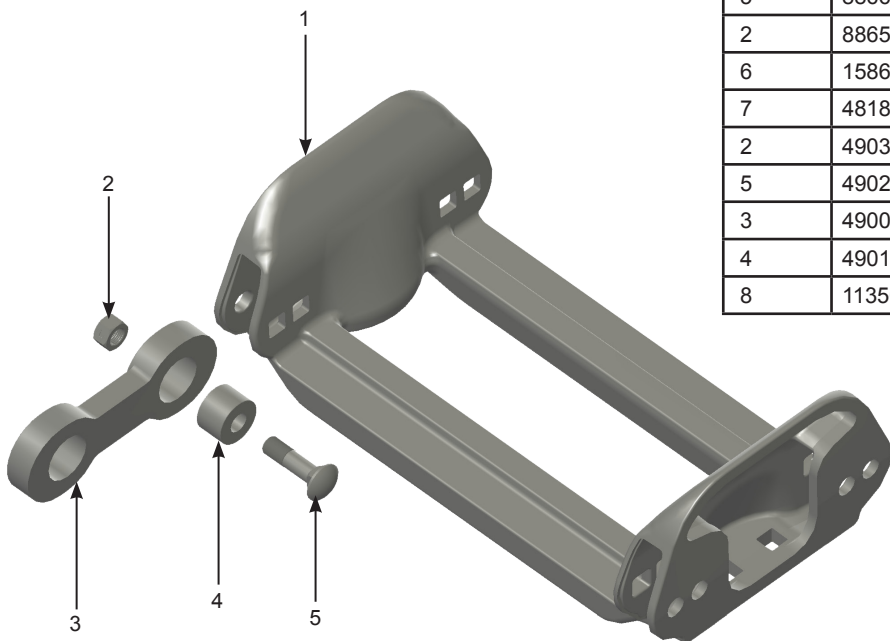
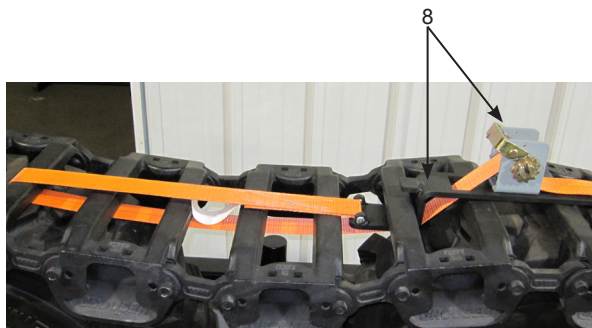


Bar Track Parts

- “C”, “D” and “E” pads have been replaced with “F” pads.
- “C” and “D” links and bushings are compatible with all pads.
- “E-F” links and bushings are ONLY compatible with “E-F” pads.

Notes:

- A. Includes 2 Links, 4 Nuts, 4 Bolts, 4 Bushings
- B. 5C
- C. For use on F track only.
- D. For use on 19.00 pads only.
- E. For use on machines with limited clearances.



Item	Model #	Description	Note
1	850-2W	8.5" Welded Pad (3/4" Bars)	
1,2,3,4,5	850-2WC	8.5" Welded Pad Complete	A
1	105-3FW	10.5" Welded Pad (1" Bars)	
1,2,3,4,5	105-3FWC	10.5" Welded Pad Complete (1" Bars)	A
1	115-2FW	11.5" Welded Pad (3/4" Bars)	
1,2,3,4,5	115-2FWC	11.5" Welded Pad Complete	A
1	115-3FW	11.5" Welded Pad (1" Bars)	
1,2,3,4,5	115-3FWC	11.5" Welded Pad Complete (1" Bars)	A
1	132F	13.25" Pad (for 10.00 Tires)	
1,2,3,4,5	132FC	13.25" Pad Complete	A,C
1	132FLP	13.25" Low Profile	E
1,2,3,4,5	132FLPC	13.25" Low Profile Complete	A,E
1	147F	14.75" Pad (for 12.00 Tires)	
1,2,3,4,5	147FC	14.75" Pad Complete	A,C
1	155F	15.5" Pad	
1,2,3,4,5	155FC	15.5" Pad Complete	A
1	160F	16.00" Pad (for 14.00 Tires)	
1,2,3,4,5	160FC	16.00" Pad Complete	A,C
1	175F	17.50" Pad (for 33-15.5 Tires)	
1,2,3,4,5	175FC	17.50" Pad Complete	A
1	190W	19.00" Welded Pad (1080C Bobcat)	B
1,2,3,4,5	190WC	19.00" Pad Complete	A,B

Item	Model #	Description	Note
3	1297	C Link (7/8" holes)	
3	7510	D Link (1" holes)	
3	7512F	E-F Link (1 1/4" holes)	
4	4817	C Bushing 7/8" (O.D.)	
4	8863	D Bushing 1" (O.D.)	
4	8864	E-F Bushing 1 1/4" (O.D.)	
5	8866	C,D,E,F Carriage Bolt 1/2"x1-7/8" GR5	
2	8865	C,D,E,F Nut 1/2" NF GR5 center lock	
6	1586	Web Binder	
7	4818	Web Binder Strap	
2	4903	5C nut 5/8" NC GR5 top lock	D
5	4902	5C Carriage Bolt 5/8"x2.5"	D
3	4900	5C Link (1 1/4" holes)	D
4	4901	5C Bushing 1 1/4" (O.D.)	D
8	11350	Optional Track Installation Tool	