



1300 U-Blade Owner's Manual & Parts Book

Purchase Date
Serial Number
Model Number
Tractor Model
Dealer

Contents

Description	Page
To The Owner, Maintenance, Caution & Safety Precautions _____	2
Blade Assembly & Universal Quick Attach - Tilt Assembly _____	3
ALO & Fendt Quick Attach & Electric Valve Schematic _____	4-5
Hydraulic Schematic, Dimensions & Wire Harness Installation _____	6-7
Contacts, Warranty & Torque Specifications _____	8

To The Owner

This manual contains information concerning the operation, adjustment, and maintenance of the 1300 U-Blade. You have purchased dependable, long lasting equipment, but only by proper care and operation can you expect to receive the performance and long service built into our products. Please have all operators read this manual carefully and keep the manual available for ready reference. If you have any questions or concerns, contact Grouser Products.

Maintenance

Due to the harsh environment a lot of our equipment operates in, the following tasks should be performed every 10 hours or less.

- Inspect equipment before operation for existing or potential damages.
- Lubricate all joints with high quality grease.
- Inspect and tighten all bolts to torque specifications on page 8.
- Make sure all non-rotating pins are secured properly.
- Check hydraulic cylinders and hoses for damage or leaks.

Caution: This Is A Non-Trip U-Blade

The 1300 Grouser blade is a heavy-duty blade that does not contain a safety trip mechanism found in snow blades. Using this blade as a snow blade could cause serious damage to the blade, the machine, or the operator when you strike an immovable object. Grouser Products will not warranty this blade if damage occurs while pushing snow.

Safety Precautions

A careful operator is the best operator. Most accidents can be avoided by observing certain precautions. To help prevent accidents, read and take the following precautions before operating this equipment. In addition to these precautions, please follow all safety and operational instructions of your skid steer or tractor manufacturer.

The 1300 U-Blade:

1. The 1300 U-Blade should be operated only by those who are responsible and instructed to do so.
2. Read the owner's manual carefully before using this equipment. Lack of operating knowledge can lead to accidents.
3. Keep the snow blade maintained in reliable and satisfactory condition to ensure your safety.
4. Make sure the area is clear of people before moving any equipment.
5. Do not modify or permit anyone else to modify or alter the equipment and its components without first consulting Grouser Products or a Grouser dealer.

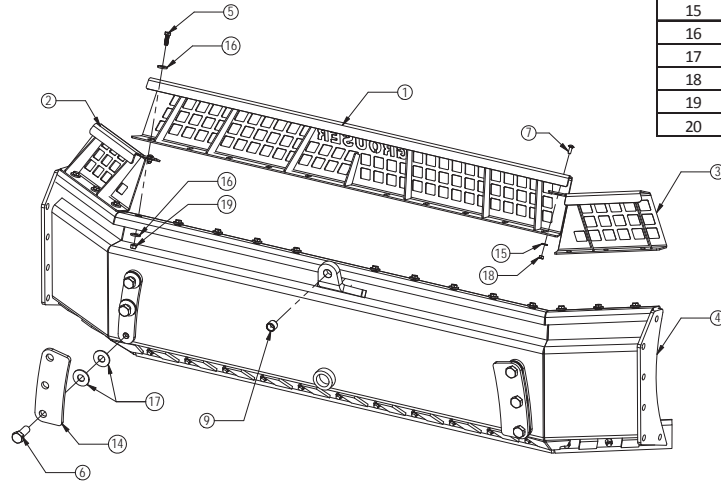
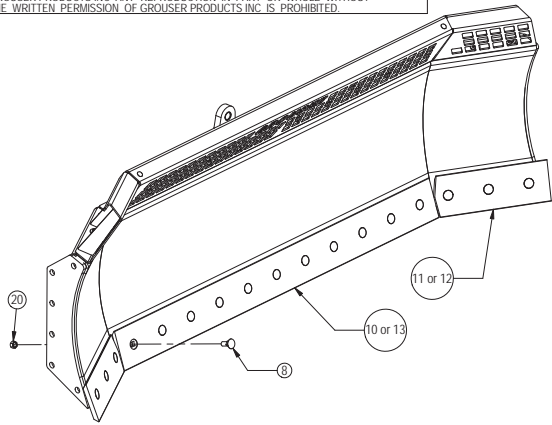
Servicing the 1300 U-Blade:

1. Read and follow all safety instructions provided by the skid steer or tractor manufacturer.
2. Always use proper personal safety gear when performing maintenance on equipment.
3. Before servicing, relieve hydraulic pressure, stop engine and fully engage parking brake.
4. Escaping hydraulic fluid under pressure can penetrate skin causing serious injury. If fluid is injected into skin, obtain medical attention immediately.
 - DO NOT use your hand to check for leaks. Use a piece of cardboard or paper to search for leaks.
 - Stop the engine and relieve pressure before connecting or disconnecting lines.
 - Tighten all connections before starting the engine or pressurizing lines.

Storing the 1300 U-Blade:

1. Thoroughly clean the blade before storage. Use paint where necessary to prevent rust.
2. Check the snow blade for worn or damaged parts. Install new parts as required.
3. Lubricate all pins and joints.

THE INFORMATION CONTAINED IN THIS DRAWING IS THE SOLE PROPERTY OF GROUSER PRODUCTS INC. ANY REPRODUCTION IN PART OR WHOLE WITHOUT THE WRITTEN PERMISSION OF GROUSER PRODUCTS INC. IS PROHIBITED.

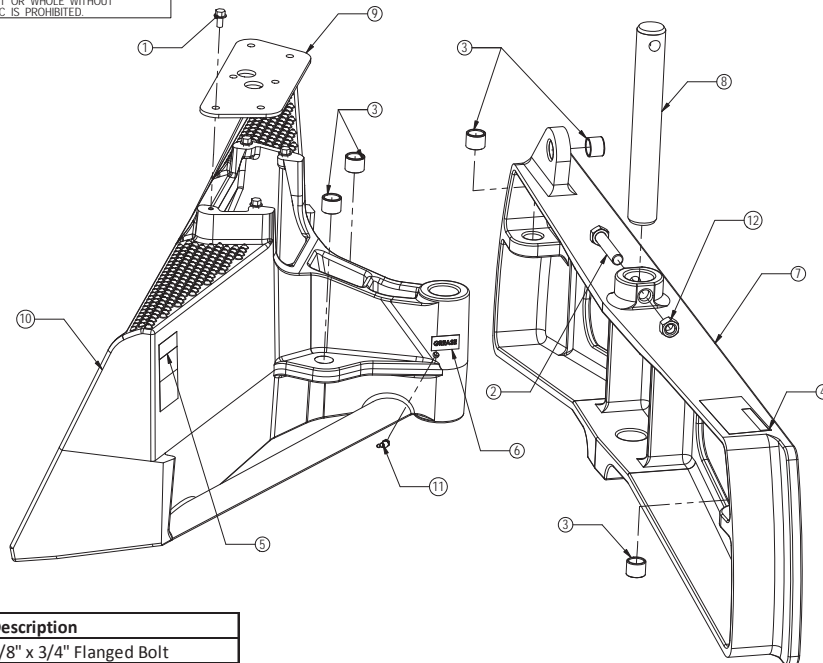


Item No.	Part No.	Description	8' Blade Qty.	9' Blade Qty.
1	15-13850	8' U-Blade Top Extension - Center	1	
2	15-13855-L	8' U-Blade Top Extension - Left	1	
3	15-13855-R	8' U-Blade Top Extension -Right	1	
4	15-13860	8' U-Blade	1	
1	15-12660	9' U-Blade Top Extension - Center		1
2	15-12665-L	9' U-Blade Top Extension - Left		1
3	15-12665-R	9' U-Blade Top Extension -Right		1
4	15-13590	9' U-Blade		1
5	16-20126	1/2" x 1-1/2" Hex Bolt Gr 5 NC	16	16
6	16-20270	1" x 2-1/2" Hex Bolt Gr 5 NC	6	6
7	16-21064	3/8" x 1" Carriage Bolt Gr 5 NC	2	2
8	16-21666	5/8" x 1-3/4" Plow Bolt Gr 5 NC	17	18
9	19-7774	1" x 1" Spring Bushing	1	1
10	29-7950-6	6' Cutting Edge		1
11	29-13581	20" Cutting Edge		2
12	29-13844	17" Cutting Edge	2	
13	29-13845	66" Cutting Edge	1	
14	52-8204	Tilt Plate	2	2
15	57-20742	3/8" Flat Washer	2	2
16	57-20744	1/2" Flat Washer	32	32
17	57-20749	1" Flat Washer	12	12
18	70-20582	3/8" Hex Nut NC	2	2
19	70-20604	1/2" Hex Center Lock Nut NC	16	16
20	70-20646	5/8" Hex Top Lock Nut NC	17	18

GROUSER PRODUCTS INC.
 755 2nd Ave NW Phone 701.282.7710
 West Fargo, ND 58078 Fax 701.282.8131
 WWW.GROUSER.COM

TITLE: **U-Blade Assy.** Date: 3/17/2010

THE INFORMATION CONTAINED IN THIS DRAWING IS THE SOLE PROPERTY OF GROUSER PRODUCTS INC. ANY REPRODUCTION IN PART OR WHOLE WITHOUT THE WRITTEN PERMISSION OF GROUSER PRODUCTS INC. IS PROHIBITED.

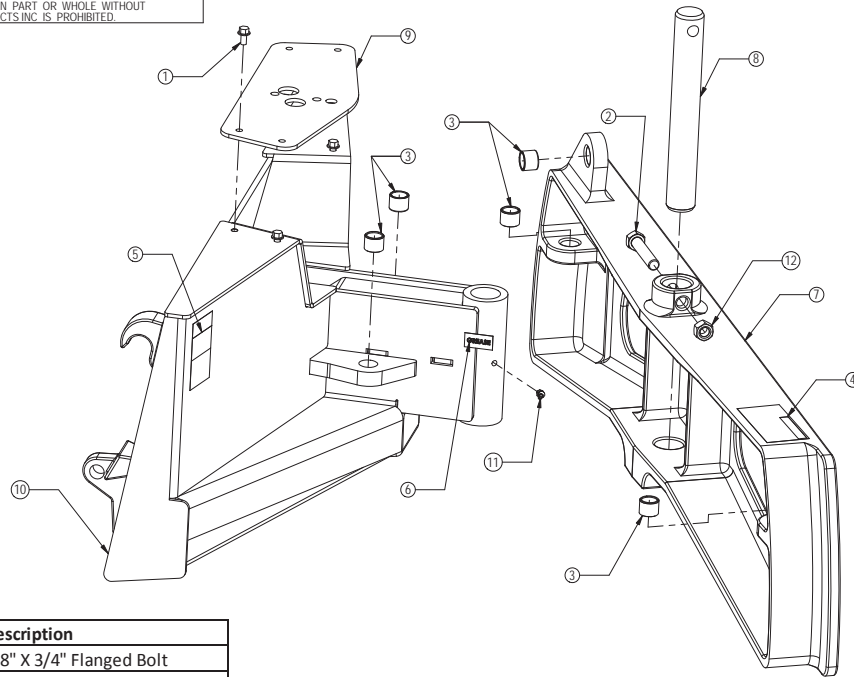


Item No.	Qty.	Part No.	Description
1	4	16-35C612	3/8" x 3/4" Flanged Bolt
2	2	16-20226	3/4" x 4" Hex Bolt Gr 5 NC
3	5	19-7774	1" x 1" Spring Bushing
4	1	27-2409	Pinch Decal (Hand)
5	2	27-9503	Pinch Decal (Foot)
6	1	27-9507	Grease Decal
7	1	32-8812	Cast Tilt Frame
8	1	43-6903	1-15/16" x 14" Pin
9	1	44-1627	Electric Valve Cover Plate
10	1	45-9633	Universal Cast Q.A.
11	1	58-9371	Grease Zerk 1/8" NPT 45°
12	1	70-20607	3/4" Hex Center Lock Nut NC

GROUSER PRODUCTS INC.
 755 2nd Ave NW Phone 701.282.7710
 West Fargo, ND 58078 Fax 701.282.8131
 WWW.GROUSER.COM

TITLE: **Universal QA - Tilt Assembly** Date: 3/17/2010

THE INFORMATION CONTAINED IN THIS DRAWING IS THE SOLE PROPERTY OF GROUSER PRODUCTS INC. ANY REPRODUCTION IN PART OR WHOLE WITHOUT THE WRITTEN PERMISSION OF GROUSER PRODUCTS INC. IS PROHIBITED.

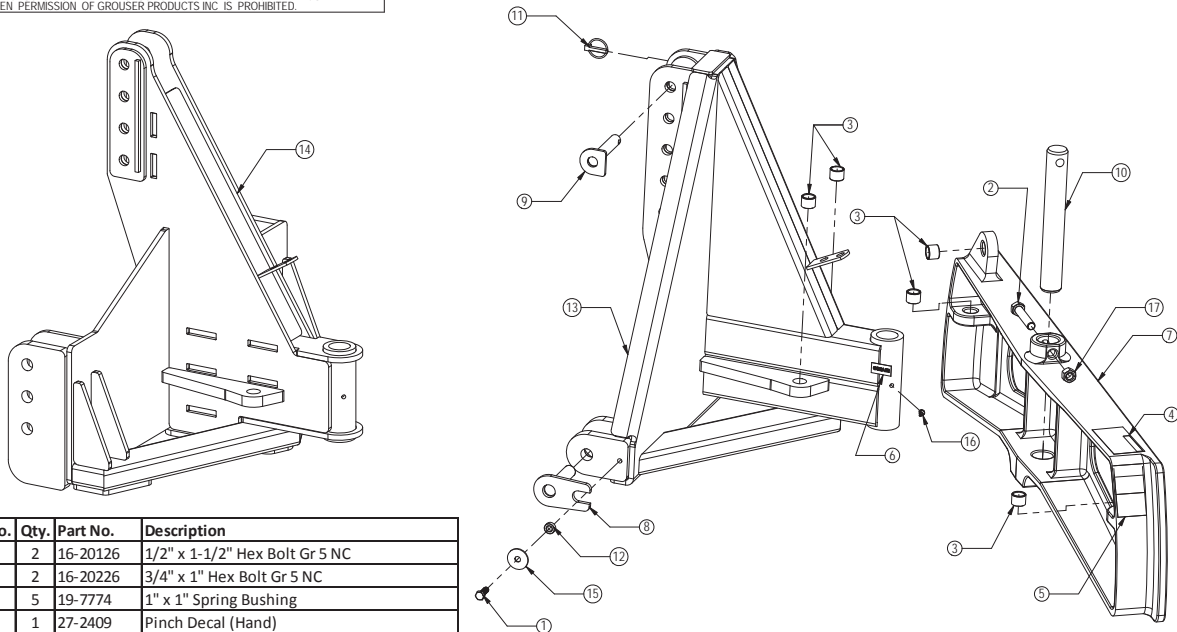


Item No.	Qty.	Part No.	Description
1	4	16-35C612	3/8" X 3/4" Flanged Bolt
2	2	16-20226	3/4" x 1" Hex Bolt Gr 5 NC
3	5	19-7774	1" x 1" Spring Bushing
4	1	27-2409	Pinch Decal (Hand)
5	2	27-9503	Pinch Decal (Foot)
6	1	27-9507	Grease Decal
7	1	32-8812	Cast Tilt Frame
8	1	43-6903	1-15/16" x 14" Pin
9	1	44-12360	ALO Electric Valve Cover Plate
10	1	45-12370	ALO Quick Attach
11	1	58-9371	Grease Zerk 1/8" NPT 45°
12	1	70-20607	3/4" Hex Center Lock Nut NC

GROUSER PRODUCTS INC.
 755 2nd Ave NW Phone 701.282.7710
 West Fargo, ND 58078 Fax 701.282.8131
 WWW.GROUSER.COM

TITLE: ALO QA - Tilt Assembly Date: 3/18/2010

THE INFORMATION CONTAINED IN THIS DRAWING IS THE SOLE PROPERTY OF GROUSER PRODUCTS INC. ANY REPRODUCTION IN PART OR WHOLE WITHOUT THE WRITTEN PERMISSION OF GROUSER PRODUCTS INC. IS PROHIBITED.



Item No.	Qty.	Part No.	Description
1	2	16-20126	1/2" x 1-1/2" Hex Bolt Gr 5 NC
2	2	16-20226	3/4" x 1" Hex Bolt Gr 5 NC
3	5	19-7774	1" x 1" Spring Bushing
4	1	27-2409	Pinch Decal (Hand)
5	2	27-9503	Pinch Decal (Foot)
6	1	27-9507	Grease Decal
7	1	32-8812	Cast Tilt Frame
8	2	43-11667	Lower Lift Pin - Cat II
9	1	43-13576	Top Pin - Cat II
10	1	43-6903	1-15/16" x 14" Pin
11	1	43-9360	Lynch Pin
12	2	44-8490	1/2" ID - Non Rotating Pin Spacer Bushing
13	1	45-13599	Fendt Quick Attach - Wheeled Tractors
14	1	45-12670	Fendt Quick Attach - Tracked Tractors
15	2	57-20794	1/2" Fender Washer
16	1	58-9371	Grease Zerk 1/8" NPT 45°
17	1	70-20607	3/4" Hex Center Lock Nut NC

GROUSER PRODUCTS INC.
 755 2nd Ave NW Phone 701.282.7710
 West Fargo, ND 58078 Fax 701.282.8131
 WWW.GROUSER.COM

TITLE: Fendt QA - Tilt Assembly Date: 3/18/2010

Electric Valve

Electrical:

If your loader is equipped with a 12V/4A OEM attachment control kit you may use that circuit to control the electric solenoid. On loaders without a remote power source, the switching circuit must be installed onto the loader. A power cord and switch are supplied. (See wiring instructions on page 6)

Plumbing:

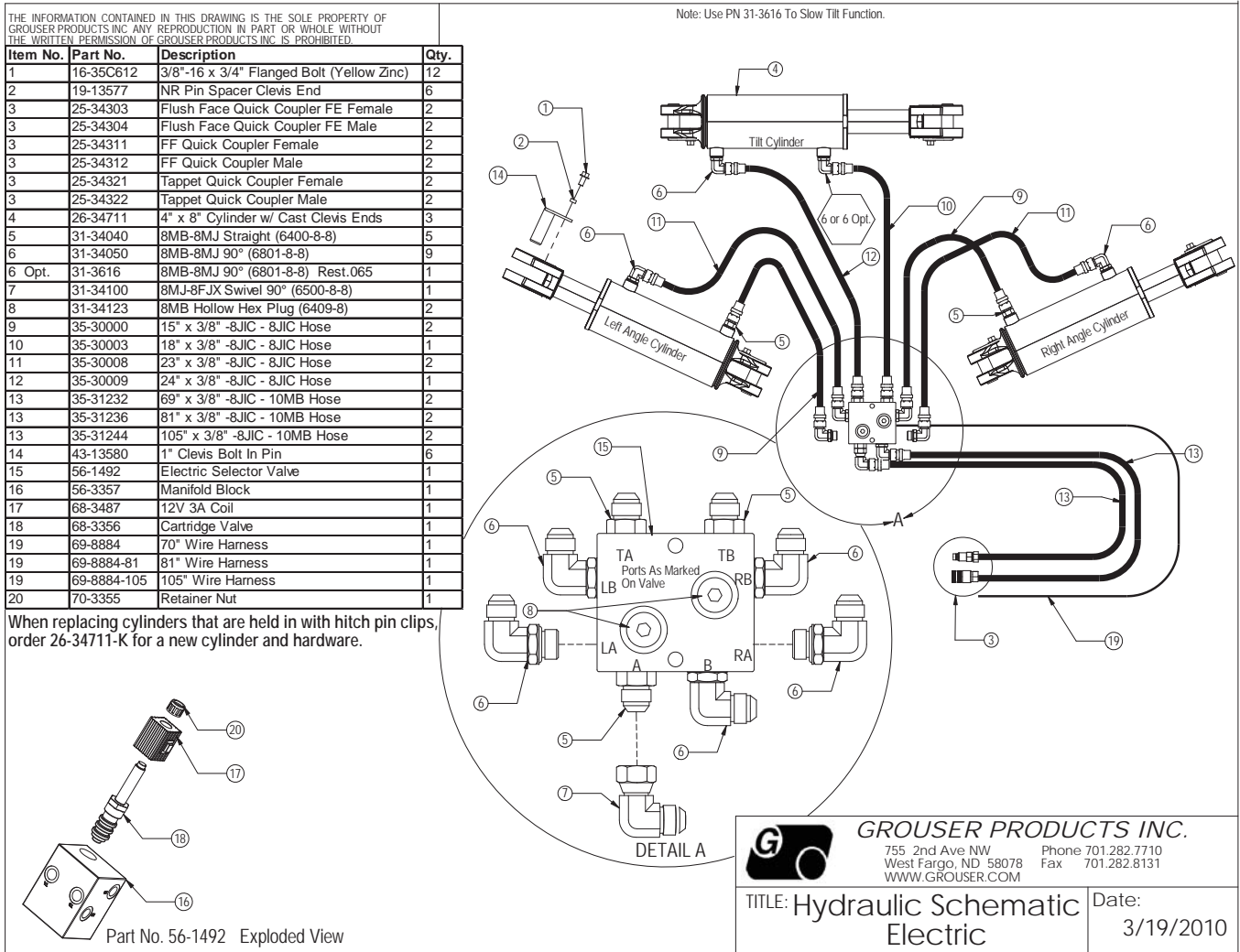
The dozer is equipped with angle and tilt; the loader valve operates both functions through an electric crossover valve that is installed on the dozer. The proper function of the system with angle and tilt is as follows: (See plumbing diagram on page 5.) The oil is routed directly to the tilt cylinder so it is available at all times to produce level smooth dozing. To set angle, the operator energizes the solenoid with the OEM or Grouser wire harness which will divert the oil flow into the angle cylinders.

Lubrication:

The angle pin is to be greased on a regular basis. The cylinder ears contain replaceable bushings and should be checked for wear and replacement at the operator's discretion.

Operation:

For maximum strength, the dozer was designed so the loader arms can be in the full down position against the stops when dozing. If it is necessary to raise the arms in some situations then the operator must be careful not to overload the arms and cause damage to them.

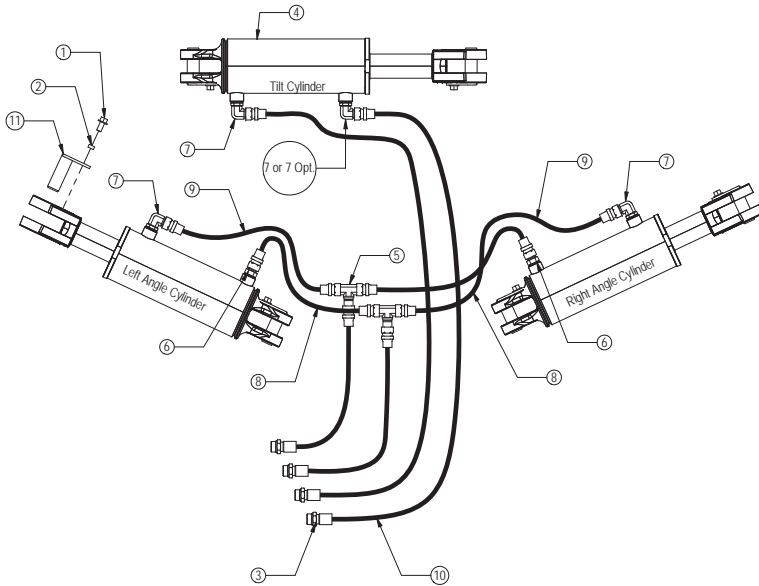


THE INFORMATION CONTAINED IN THIS DRAWING IS THE SOLE PROPERTY OF GROUSER PRODUCTS INC. ANY REPRODUCTION IN PART OR WHOLE WITHOUT THE WRITTEN PERMISSION OF GROUSER PRODUCTS INC. IS PROHIBITED.

Note: Use PN: 31-3616 To Slow Tilt Function.

Item No.	Part No.	Description	Qty.
1	16-35C612	3/8"-16 x 3/4" Flanged Bolt (Yellow Zinc)	6
2	19-13577	NR Pin Spacer Clevis End	6
3	25-34303	Flush Face Quick Coupler FE Female	4
3	25-34304	Flush Face Quick Coupler FE Male	4
3	25-34311	FF Quick Coupler Female	4
3	25-34312	FF Quick Coupler Male	4
3	25-34321	Tappet Quick Coupler Female	4
3	25-34322	Tappet Quick Coupler Male	4
4	26-34711	4" x 8" Cylinder w/ Cast Clevis Ends	3
5	31-34020	Bulkhead Branch Tee JIC (2703-8-8-8)	2
6	31-34040	8MB-8MJ Straight (6400-8-8)	2
7	31-34050	8MB-8MJ 90° (6801-8-8)	4
7 Opt.	31-3616	8MB-8MJ 90° (6801-8-8) Rest.065	1
8	35-30000	15" x 3/8" -8JIC - 8JIC Hose	2
9	35-30008	23" x 3/8" -8JIC - 8JIC Hose	2
10	35-31232	69" x 3/8" -8JIC - 10MB Hose	4
10	35-31236	81" x 3/8" -8JIC - 10MB Hose	4
10	35-31244	105" x 3/8" -8JIC - 10MB Hose	4
11	43-13580	1" Clevis Bolt In Pin	6

When replacing cylinders that are held in with hitch pin clips, order 26-34711-K for a new cylinder and hardware.

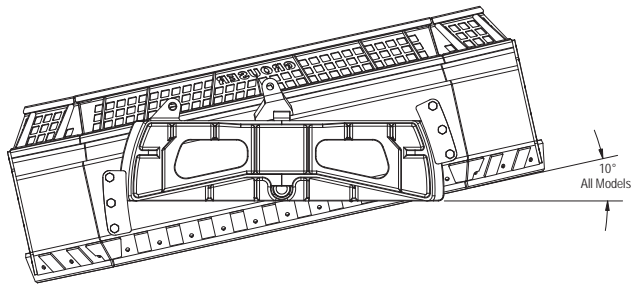
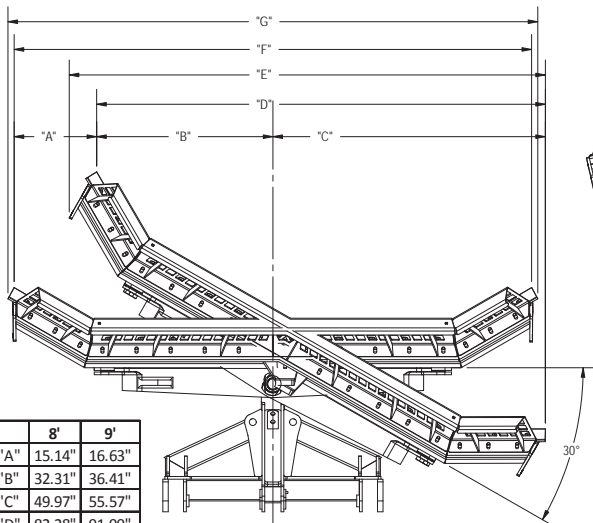
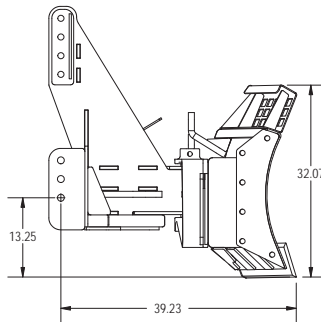
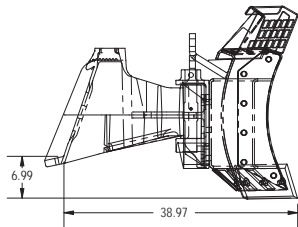


Note: Hoses Are Not Drawn To Scale.

GROUSER PRODUCTS INC.
 755 2nd Ave NW Phone 701.282.7710
 West Fargo, ND 58078 Fax 701.282.8131
 WWW.GROUSER.COM

TITLE: Hydraulic Schematic Date: 3/19/2010
 W/Out Electric

THE INFORMATION CONTAINED IN THIS DRAWING IS THE SOLE PROPERTY OF GROUSER PRODUCTS INC. ANY REPRODUCTION IN PART OR WHOLE WITHOUT THE WRITTEN PERMISSION OF GROUSER PRODUCTS INC. IS PROHIBITED.



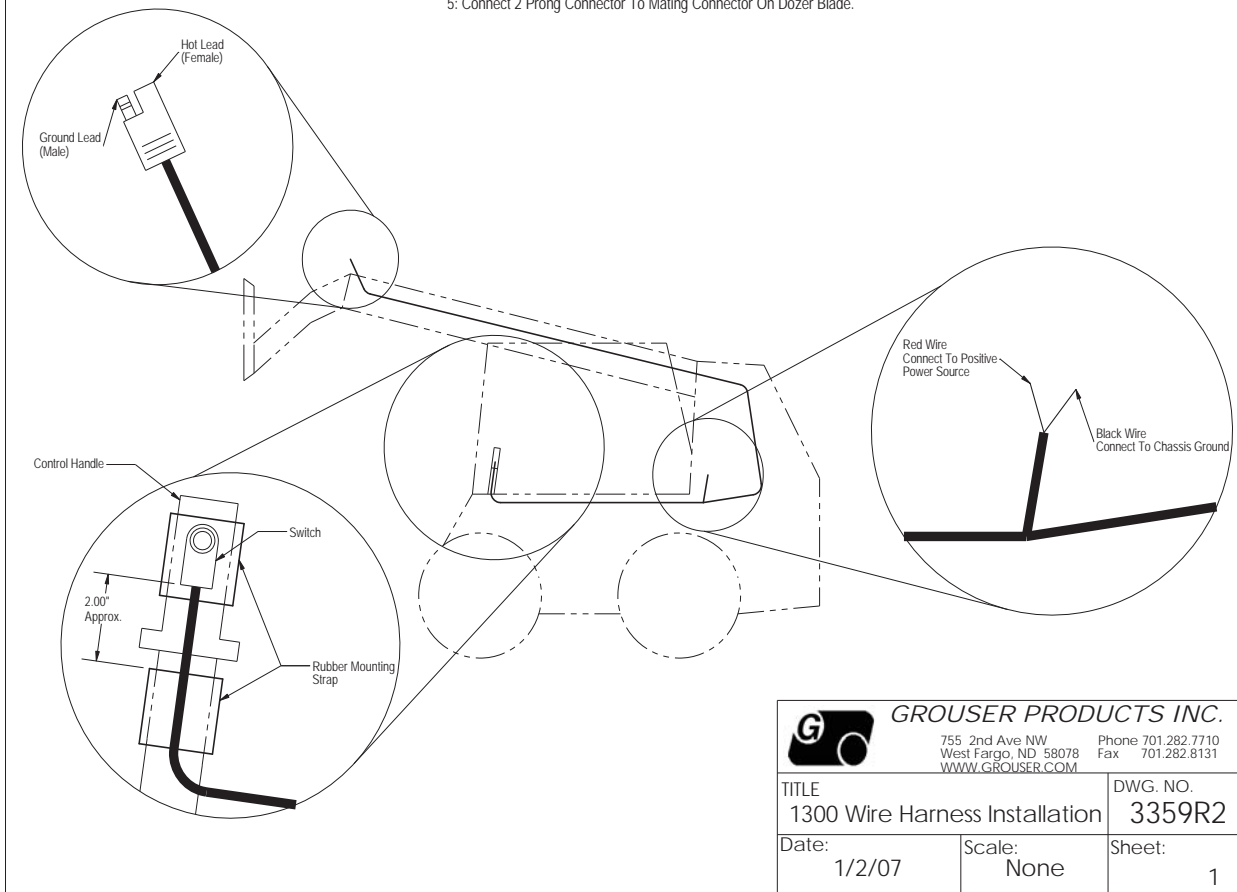
	8'	9'
Dim "A"	15.14"	16.63"
Dim "B"	32.31"	36.41"
Dim "C"	49.97"	55.57"
Dim "D"	82.28"	91.99"
Dim "E"	87.31"	97.11"
Dim "F"	94.89"	106.08"
Dim "G"	97.15"	108.35"

GROUSER PRODUCTS INC.
 755 2nd Ave NW Phone 701.282.7710
 West Fargo, ND 58078 Fax 701.282.8131
 WWW.GROUSER.COM

TITLE: General Dimensions Date: 3/23/2010

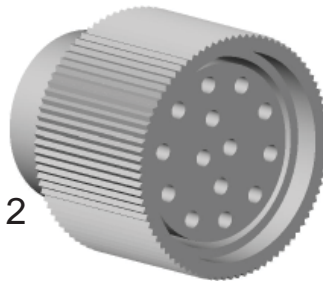
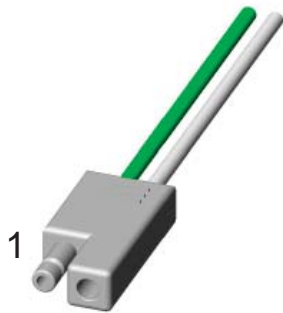
THE INFORMATION CONTAINED IN THIS DRAWING IS THE SOLE PROPERTY OF GROUSER PRODUCTS INC. ANY REPRODUCTION IN PART OR WHOLE WITHOUT THE WRITTEN PERMISSION OF GROUSER PRODUCTS INC. IS PROHIBITED.

- 1: Route And Tie Wire Harness Properly To Avoid Pinching Or Tearing By Boom.
- 2: Attach Switch To Control Handle With Rubber Mounting Strap.
- 3: To Support The Wire, Use A Second Rubber Mounting Strap Below The Control Handle To Attach The Wire To The Control Rod.
- 4: Connect Ground (Black Wire) And Power (Red Wire) To A Keyed and Fused Power Supply As Shown.
- 5: Connect 2 Prong Connector To Mating Connector On Dozer Blade.



G **GROUSER PRODUCTS INC.**
 755 2nd Ave NW Phone 701.282.7710
 West Fargo, ND 58078 Fax 701.282.8131
 WWW.GROUSER.COM

TITLE	DWG. NO.
1300 Wire Harness Installation	3359R2
Date:	Scale:
1/2/07	None
Sheet:	1



Item	Part #	Description	
1	8884	Grouser 70" Wire Harness Assy off Valve-Trailer End	Universal
1	8951	Grouser Attachment Control Kit—23.5'	Universal
2	3554	ASV RC-50 Wire Harness 11' w/ Switch-Trailer	ASV
3	3750	ASV RC-100 WIRE HARNESS ASSY (8 Pin)	ASV
2	9291	BC Wire Harness Adapter -Trailer (14 pin)	Bobcat
NA	7986	Case Wire Harness Adapter -Trailer (8-pin)	Case
3	1444	Cat Wire Harness Adapter Assembly-Trailer (8 pin)	Caterpillar
2	1886	JD Wire Harness Adapter -Trailer (3 pin)	John Deere
2	1438	JD Wire Harness Adapter -Trailer (14 pin)	John Deere
2	9255	Case/NH Wire Harness Adapter-Trailer (14 pin)	Case/New Holland
1	3791	Gehl/Mustang/Takeuchi Wire Harness	Gehl/Mustang/Takeuchi
3	1444	Komatsu Wire Harness Adapter Assembly-Trailer (8 pin)	Kamatsu

Torque Specifications

All bolts should be tightened to specifications set by the manufacturer or previously stated amounts. If neither of these can be found the following torque chart should be used.

Size	Torque (ft-lbs)	
	Grade 8.8	Grade 10.9
M18 x 2.50	202	284
M20 x 2.50	286	401
M22 x 2.50	388	547
M24 x 3.00	493	694

Size	Torque (ft-lbs)			
	SAE Grade 5		SAE Grade 8	
	UNC	UNF	UNC	UNF
3/8	30	35	45	50
1/2	75	85	110	120
5/8	150	170	210	240
3/4	260	300	380	420
7/8	430	470	600	670
1	640	720	910	1020

Contact Us

As always, if you have any questions about your U-Blade System or other products made by Grouser, feel free to contact us.

Grouser Products

755 2nd Ave NW - West Fargo, ND 58078

Phone: 1-800-747-6182 - **Fax:** 1-701-282-8131 - **E-mail:** grouser@grouser.com - **Website:** www.grouser.com

Improvements

Grouser Products Inc. is continually striving to improve its products. We reserve the right to change prices, specification, or equipment at any time without notice. We also reserve the right to make improvements or changes when it becomes practical and possible to do so without incurring any obligation to make changes or additions to the equipment sold previously.

Warranty

Grouser Products warrants to the original purchaser of each item that the product be free from defects in material and workmanship under normal use and service for a period of one year. If such equipment is found to be defective within one year, it is the obligation of Grouser Products under this warranty to repair or replace (exclusive of the cost of labor and transportation), any equipment or parts, in the judgment of Grouser Products to be defective in material or workmanship. The cast components of the 1300 Dozer carry a two year limited warranty.

The 1300 Grouser blade is a heavy-duty blade and does not contain a safety trip mechanism found in snow blades. Using this blade as a snow blade could cause serious damage to the blade, the machine, or the operator when you strike an immovable object. Grouser Products will not warranty this blade if damage occurs while pushing snow.

All equipment or parts claimed to be defective in material or workmanship must be made available for inspection at the place of business of a dealer authorized to handle the equipment covered by this warranty, or, upon request by Grouser Products, shipped to the Grouser Products factory in West Fargo, North Dakota. Grouser Products shall have no obligation to bear the cost of labor or transportation in connection with replacement or repair of any such defective parts. Grouser Products will pay \$35 / hr. on the modification or repair of defective parts in the setup procedure.

This warranty covers only defects in material and workmanship. It does not cover depreciation or damage caused by normal wear, accident, improper assembly, improper adjustments, improper maintenance including lack of proper lubrication, or improper use. Therefore, Grouser Products liability under this warranty shall not be effective or actionable unless the equipment is assembled, maintained and operated in accordance with the operating instructions accompanying the equipment. Grouser Products shall have no liability if the equipment has been altered or reworked without the written authorization of Grouser Products.

Grouser Products' parts, which are furnished under this warranty and properly installed, shall be warranted to the same extent as the original parts under this warranty if, and only if, such parts are found to be defective within the original warranty period covering the original equipment.