


BELLY **BLADE**TM

by  **GROUSER PRODUCTS**[®]

*Turn Your Compact
Tractor Into A
Motor Grader*



WWW.GROUSER.COM

 **GROUSER**[®]
PRODUCTS

Combine The Strength And Durability Of An Industrial *Motor Grader* With Your Compact Tractor And Complete More Jobs In Less Time.

Tough jobs require tough tools!

The Belly Blade patented by Grouser Products will make a once difficult job the easiest on the job site.

Contractors, Ranchers, Farmers, Municipalities, and Property Owners can stop twisting their backs to see what they have done and start seeing what they are doing.

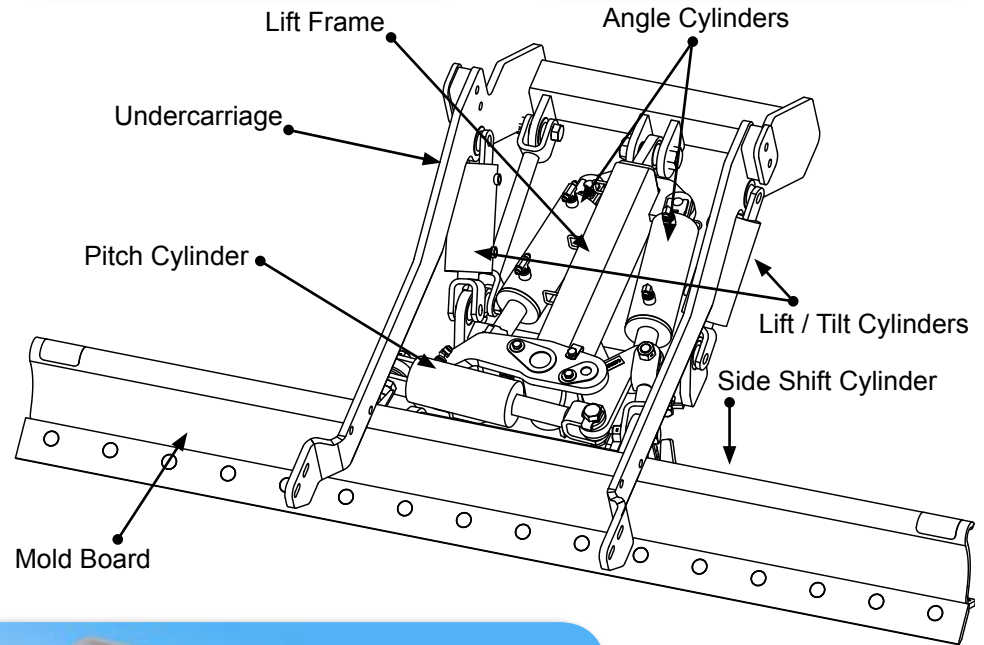
The Belly Blade will perform six different functions hydraulically—raise, lower, angle, tilt, pitch, and side shift.

Since the Grouser Belly Blade performs all the functions of a full sized motor grader. There is no job that you shouldn't be on.

A Belly Blade will give you better control of your grade by putting the blade under the machine where it belongs versus dragging a blade behind.

One look at this attachment's heavy duty frame and reinforced blade tells you that it was ***made to work***.

PERFECT FINISH GRADE



Features

- Operator Friendly Controls
- Quick Attach System
- Laser Capable
- Compatible with OEM Loader Arms
- Grade 50 Blade
- Hardened Cutting Edge
- Ten Way Blade
- Adjustable Angle Stops
- Blade Attachments



Benefits

- Accuracy
- Labor Savings
- Time Savings
- Material Savings
- Ease of Operation
- Equipment Costs
- Compatible with OEM Loaders

WWW.GROUSER.COM

Laser Control Systems Allow You To Cut Grade Within Fractions Of An Inch In A Fraction Of The Time.

LASER LEVEL

Fully Automated or Manual Control Systems

Available



Ideal for heavy-duty use including:

- Pavement Contractors
- Asphalt Contractors
- Equestrian Arenas
- Rodeo Arenas
- Park Districts
- Public Utilities
- Municipalities
- Site Development
- Gated Communities
- Rail Road Contractors
- Landscape Contractors
- Golf Course Contractors
- County Highway Departments
- and more....

Grouser Products offers two laser control options for the Belly Blade. Laser controls along with the Belly Blade provide greater efficiency in both fill materials and time to complete a project.

The **Fully Automated Control System** allows the operator to concentrate on maneuvering the machine while the laser control system continues to fine grade without assistance.

When using the **Manual Control System**, the operator controls the cut of the blade by manually making adjustments using the hydraulic system based off the reading of the LED lights on the control box or the receivers.

Grouser Products can provide all the components you will need - from a **Fully Automated Control System** to assisting in providing only the components needed to convert a current system you may have.

Belly Blades with **Laser Control Systems** will provide you with a near perfect grade every time. Weather using a **Fully Automated Control System** or a **Manual Control System**, you will cut grade within fractions of an inch in a fraction of the time.

Features

- Auto / Manual Selector Switch
- LED Indicator on Control Box
- Hi / Lo Indicator on Receiver
- Will accept any laser signal
- Proportional speed control

Benefits

- Quick Switch for accurate operator control
- Auto Grade set without operator input
- Multi Location LED readout
- Compatible with most Laser Transmitters
- +/- 1/4" Grade Control

Functions

- Angle
- Tilt
- Raise
- Blade Pitch (Heal / Toe)
- Side Shift

WWW.GROUSER.COM

The *Belly Blade* Will Help You Complete Jobs Faster And More Accurately Than Ever Before!

